



HPC : Hydraulic Press C-frame



THE HIGH SPEED HYDRAULIC PRESSES DEVELOPED BY KINGSLAND ENGINEERING CO. LIMITED

HIGH SPEED COMBINED WITH CONTINUAL MAXIMUM FORCE

Kingsland have developed a **new range of eccentric presses**. Unlike the conventional press they are **hydraulically driven** and not mechanically

High speed is combined with maximum force continually through stroke. This is created with the use of a high-speed module

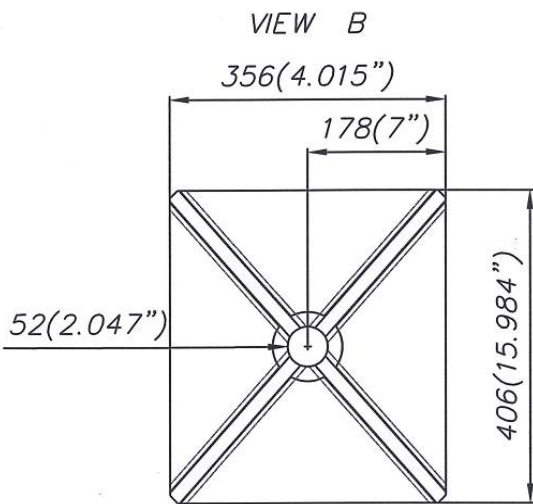
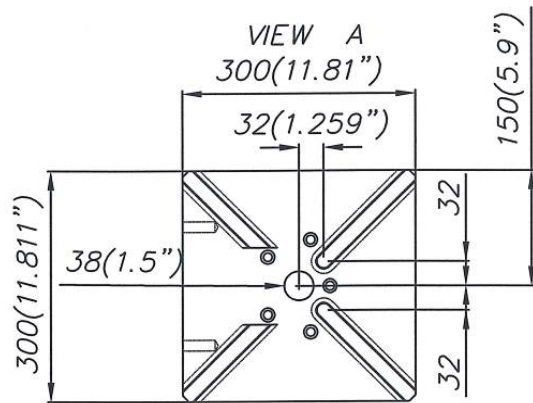
There are thousands of mechanical eccentric presses being used worldwide in the current market today but some of the following disadvantages are apparent with these machines:

- They do not conform to CE regulations so can be dangerous
- There can be blockage of the dies
- The maximum force is only reached at the final point of the stroke

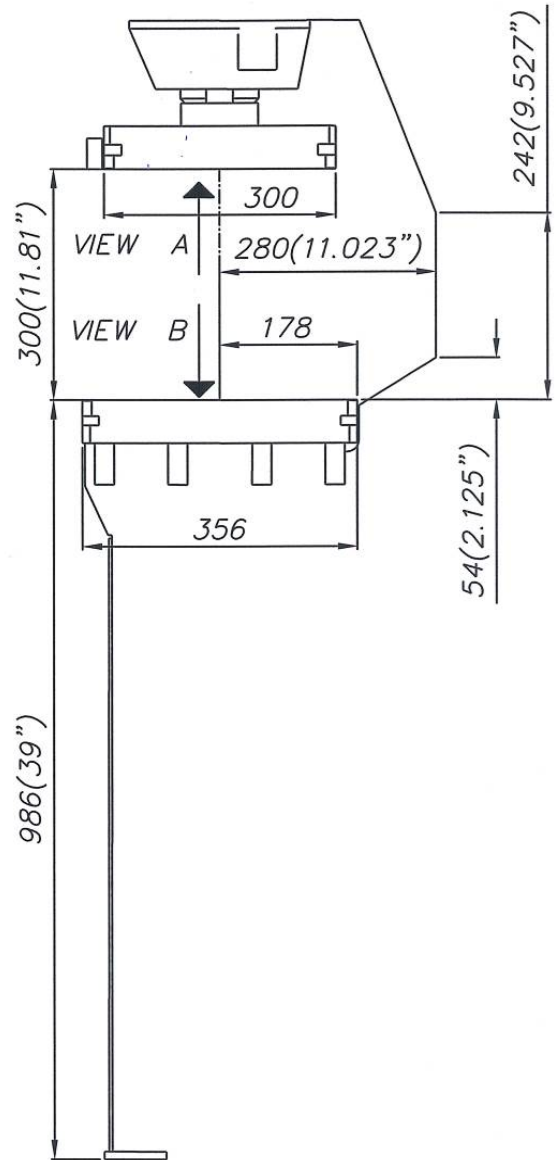
The new hydraulic eccentric presses have many advantages such as:

- Continuous high speed
- Adjustable stroke length
- Continual maximum punch force
- It is not possible for die blockage to occur and therefore the dies will have a much longer life
- A smooth working process
- Adjustable tonnage with a digital display

HPC 50

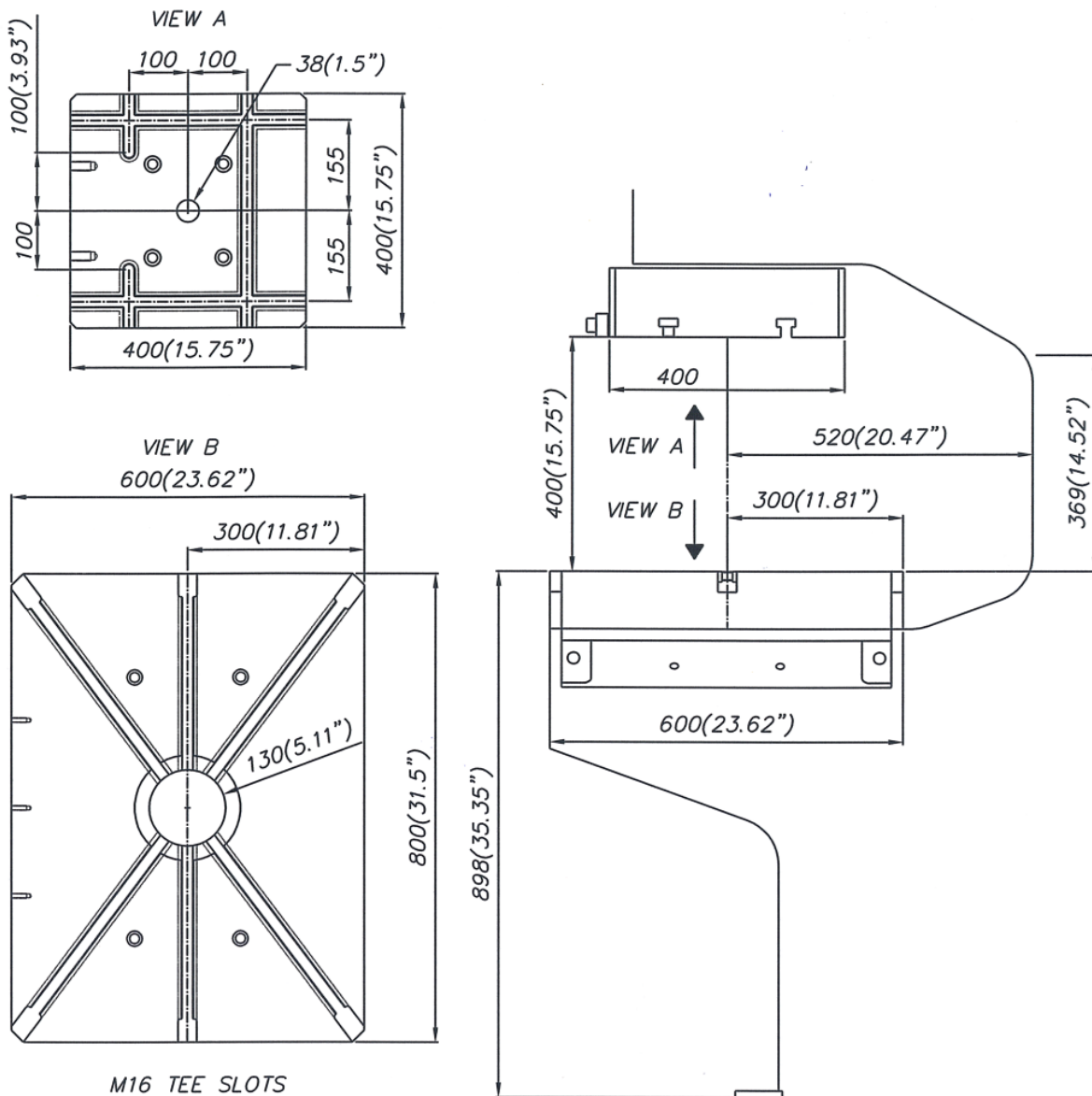


M16 TEE SLOTS



Technical Specifications	HPC 50
Maximum punch force	50 ton
Maximum stroke (mm)	60mm
Stroke(s) per min 20mm travel	40
Throat depth (mm)	280mm
Working height (mm)	1020mm
Motor	5.5 Kw
Nett Weight	650 Kgs
Machine Dimensions (cm)	60x100x170
2 hand operating systems	Standard
Adjustable punch force	10-50 ton

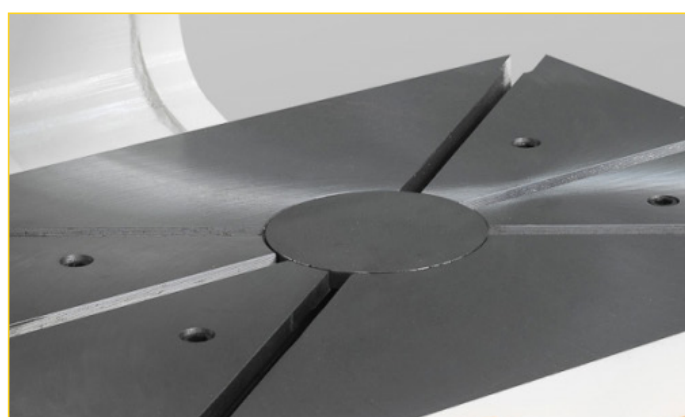
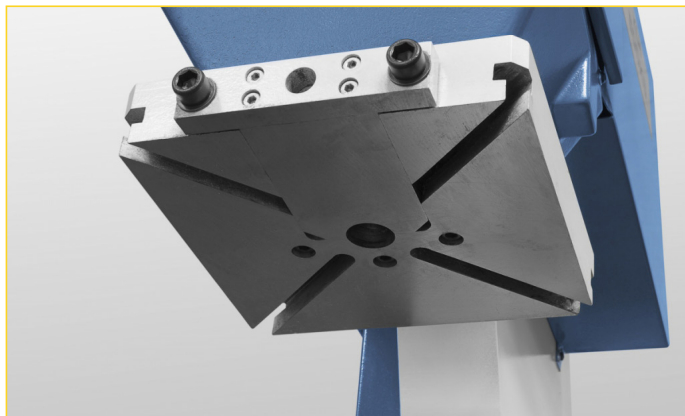
HPC 80/110



Technical Specifications	HPC 80	HPC 110
Maximum punch force	80 ton	110 ton
Maximum stroke (mm)	150mm	150mm
Stroke(s) per min 20mm travel	48	40
Throat depth (mm)	520mm	520mm
Working height (mm)	898mm	898mm
Motor	15 Kw	15 Kw
Nett Weight	4500kgs	5200kgs
Machine Dimensions (cm)	100x250x245	100x250x245
2 hand operating systems	Standard	Standard
Adjustable punch force	15-80 ton	15-110 ton



Pictures



Optional HPC Press Upgrade to Raskin Specifications

HPCWR (raskin specifications)

- upper tool holder diameter hole: 60mm
- stroke piston: 200mm
- distance until under the table: 560mm (please provide us with the required thickness of the table if important to you)
- part counter (with reset function)
- "fine tuning of the die (impulse up and down): fine adjustment": called inch-mode in Kingsland, which means that the cylinder can be brought down step by step by means of small taps on the foot pedal. This movement happens under reduced pressure



The Kingsland Engineering Company Ltd

Weybourne Road
Sheringham Norfolk NR268HE
United Kingdom

T: +44 1263 822 153
F: +44 1263 825 667
E: sales@kingsland.com
W: www.kingsland.com



Robot Plasma Cutting System



Punching machines



Tools & accessories