





<b><u>Contents :</u></b>	<b><u>Pages</u></b>
1.Introduction	1
2.Which punch for what machine	2-4
3. Tonnage Calculations	5-7
4. Round punches	8-12
5. Square punches	13-15
6. Elongated punches	16-18
7. Round dies	19-21
8. Square dies	22
9. Elongated dies	23
10. Offset tooling	24-25
11. Punch ends	26-28
12. Stripper assemblies	29-31
13. Blade list	32
14. Special tooling	33

# INTRODUCTION

Kingsland manufacture all our punches and dies in-house at our Sheringham works. Using over 5 decades of experience, knowledge, and craftsmanship.

Our continuous investment in dedicated CAD systems, CNC – turning, milling, wire erosion and a vacuum heat treatment facility. All help to ensure that we have total control of the manufacturing process from start to finish, which enables us to offer you: -

. Same day despatch for stock tooling (if ordered before 12 noon)

. +/- 7 Working Days despatch for non-stock tooling.

. A huge variety of shapes and sizes in stock.

. Special tooling can be designed quickly and manufactured to a customer's specific requirements.

- High quality. All tooling is manufactured from top quality D2 tool steel – specially heat treated in a vacuum furnace, for a long and productive working life on a wide variety of metals, including stainless steel..
- We also manufacture and stock punches and dies for
- Geka
- Mubea
- Peddinghaus
- Piranha
- Selfer and other non Kingsland Brands

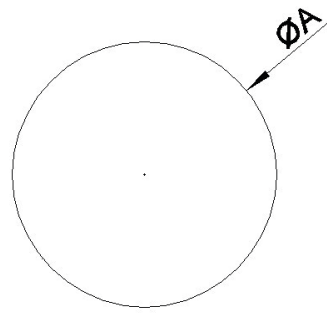


Tooling type	Round Punches																							
	9000	9001	9004	9006	9007	9009	9010	9011	9012	9013	9014	9015	Round Dies which Suit above Punches											
	9020	9023	9023	9023	9024	9024	9025	9026	9027	9028	9029	9030	3-19	3-30	3-38	3-39.5	38-57	40-57	57-85	85-110	111-135	136-160	161-190	191-225
Machine Model	*****	*	*		**																			
Compact 40	*****	*	*		**			***																
Compact 45	*****	*	*		**			***																
Compact 50	*****	*	*		**			***																
Compact 65	*****	*	*		**			***																
Compact 80	*****	*	*		**			***																
50 P	*****	*	*		**			***																
55XS,55P625,55DP,55DPX,55XSD	*****	*	*		**			***																
70XS,70P625,70DP,70DPX,70XSD	*****	*	*		**			***																
85XS,85P625,85DP,85DPX,85XSD	*****	*	*		**			***																
100XS,100P625,100DP,100DPX,100XSD	*****	*****	*****	*	*		*	***																
115XS,115P625,115DP,115DPX,115XSD	*****	*****	*****	*	*		*	***																
140XS,140P625,140DP,140DPX	*****	*****	*****	*	*		*	***																
160XS,160P625,160DP,160DPX	*****	*	*		**		*	***																
Multi 60,60P,60DP,60DPX,MULTI 60D	*****	*	*		**		*	***																
Multi 70,70P,70DP,70DPX,MULTI 70D	*****	*	*		**		*	***																
Multi 80,80P,80DP,80DPX,MULTI 80D	*****	*	*		**		*	***																
Multi 95,95P,95DP,95DPX,MULTI 95D	*****	*	*		**		*	***																
Multi 125,125P,125DP,125DPX,MULTI 125D	*****	*****	*****	*	*		*	***																
Multi 140,140P,140DP,140DPX,MULTI 140D	*****	*****	*****	*	*		*	***																
Multi 175,175P,175DP	*****	*****	*****	*	*		*	***																
Key																								
*																								
**																								
***																								
****																								
*****																								
*****																								
Standard for machine fits with adaptors Supplied																								
Fits Machine with Large hole attachment 38-57mm																								
Fits Machine with Large hole attachment 38-110mm																								
Fits Machine with Large hole attachment 38-160mm																								
Fits Machine with Large hole attachment 160-225mm																								
Fits Machine with Adaptors																								

Tooling type	Square Punches												
	9171	9172	9174	9175	9177	9178	9179	9180	9181	9182	9183		
Size of square (mm)	9213	9213	9213	9214	9214	9215	9216	9217	9218	9219	9220		
Machine Model	6-21	22-26	3-26	27-40	27-40	41-60	61-77	78-95	96-113	114-134	135-159		
Compact 40	*	*		*									
Compact 45	*	*		*		***	***						
Compact 50	*	*		*		***	***						
Compact 65	*	*		*		***	***						
Compact 80	*	*		*		***	***						
50 P	*	*		*		***	***						
55XS,55P625,55DP,55DPX,55XSD	*	*		*		***	***						
70XS,70P625,70DP,70DPX,70XSD	*	*		*		***	***	***	***				
85XS,85P625,85DP,85DPX,85XSD	*	*		*		***	***	***	***				
100XS,100P625,100DP,100DPX,100XSD	*****	*****	*	*****	*	***	***	***	***	***	***	***	***
115XS,115P625,115DP,115DPX,115XSD	*****	*****	*	*****	*	***	***	***	***	***	***	***	***
140XS,140P625,140DP,140DPX	*****	*****	*	*****	*	***	***	***	***	***	***	***	***
160XS,160P625,160DP,160DPX	*****	*****	*	*****	*	***	***	***	***	***	***	***	***
Multi 60,60P,60DP,60DPX,MULTI 60D	*	*		*		***	***	***	***	***	***	***	***
Multi 70,70P,70DP,70DPX,MULTI 70D	*	*		*		***	***	***	***	***	***	***	***
Multi 80,80P,80DP,80DPX,MULTI 80D	*	*		*		***	***	***	***	***	***	***	***
Multi 95,95P,95DP,95DPX,MULTI 95D	*	*		*		***	***	***	***	***	***	***	***
Multi 125,125P,125DP,125DPX,MULTI 125D	*****	*****	*	*****	*	***	***	***	***	***	***	***	***
Multi 140,140P,140DP,140DPX,MULTI 140D	*****	*****	*	*****	*	***	***	***	***	***	***	***	***
Multi 175,175P,175DP	*****	*****	*	*****	*	***	***	***	***	***	***	***	***
Key													
*													
**													
***													
****													
*****													
*****													
Standard for machine fits with adaptors Supplied													
Fits Machine with Large hole attachment 38-57mm													
Fits Machine with Large hole attachment 38-110mm													
Fits Machine with Large hole attachment 38-160mm													
Fits Machine with Large hole attachment 160-225mm													
Fits Machine with Adaptors													

Elongated Punches										
9184	9185	9187	9188	9190	9191	9192	9193	9194	9195	9196
Elongated Dies which Suit above Punches										
9221	9221	9221	9222	9222	9223	9224	9225	9226	9227	9228
Size of Elongated (Length in mm)	38	39	27-40	27-40	41-60	61-77	78-95	96-113	114-134	135-159
Machine Model										
Compact 40	*		**							
Compact 45	*		**		***	***				
Compact 50	*		**		***	***				
Compact 65	*		**		***	***				
Compact 80	*		**		***	***				
50 P	*		**		***	***				
55XS,55P625,55DP,55DPX,55XSD	*		**		***	***				
70XS,70P625,70DP,70DPX,70XSD	*		*		***	***	***	***		
85XS,85P625,85DP,85DPX,85XSD	*		*		***	***	***	***	***	
100XS,100P625,100DP,100DPX,100XSD	*****	*	*****	*	***	***	***	***	***	*****
115XS,115P625,115DP,115DPX,115XSD	*****	*	*****	*	***	***	***	***	***	*****
140XS,140P625,140DP,140DPX	*****	*	*****	*	***	***	***	***	***	*****
160XS,160P625,160DP,160DPX	*****	*	*****	*	***	***	***	***	***	*****
Multi 60,60P,60DP,60DPX,MULTI 60D	*	*	*	*	***	***	***	***	***	***
Multi 70,70P,70DP,70DPX,MULTI 70D	*	*	*	*	***	***	***	***	***	***
Multi 80,80P,80DP,80DPX,MULTI 80D	*	*	*	*	***	***	***	***	***	***
Multi 95,95P,95DP,95DPX,MULTI 95D	*	*	*	*	***	***	***	***	***	***
Multi 125,125P,125DP,125DPX,MULTI 125D	*****	*	*****	*	***	***	***	***	***	*****
Multi 140,140P,140DP,140DPX,MULTI 140D	*****	*	*****	*	***	***	***	***	***	*****
Multi 175,175P,175DP	*****	*	*****	*	***	***	***	***	***	*****
Key										
*										
**										
***										
****										
*****										
*****										
Standard for machine fits with adaptors Supplied										
Fits Machine with Large hole attachment 38-57mm										
Fits Machine with Large hole attachment 38-110mm										
Fits Machine with Large hole attachment 38-160mm										
Fits Machine with Large hole attachment 160-225mm										
Fits Machine with Adaptors										

## Calculation of Tonnage of Round Tool



Force (tonnes)=Perimeter of shape(mm) x Tensile strength of the material to be punched (Kg/mm<sup>2</sup>) ÷ 1000

$$\text{Perimeter} = \text{Diameter} \times 3.14$$

E.g. Punching a 30mm hole in 10mm mild steel plate

$$\text{Perimeter} = 30 \times 3.14$$

$$\text{Perimeter} = 94.2$$

$$\text{Force} = 94.2 \times 45 \times 10 \div 1000$$

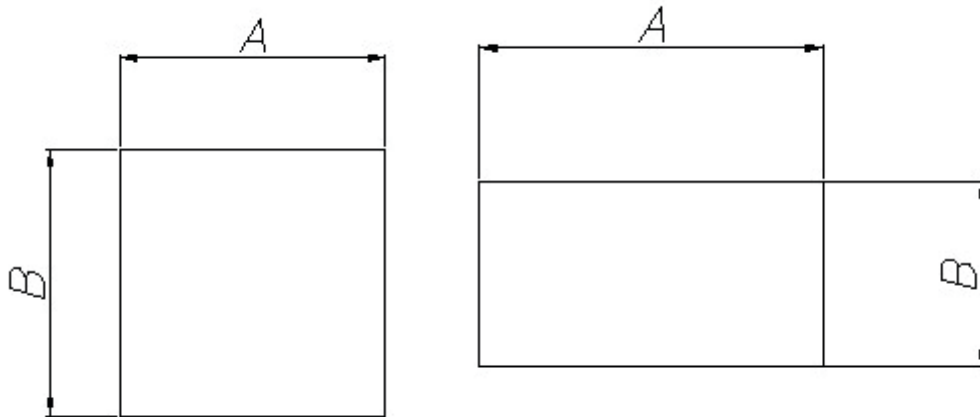
(45=tensile strength of mild steel) (10 = thickness of steel)

$$\text{Force} = 42.39 \text{ Tonnes}$$





## Calculation of Tonnage of Square or Rectangular Tool



Force (tonnes)=Perimeter of shape(mm) x Tensile strength of the material to be punched (Kg/mm<sup>2</sup>) ÷ 1000

$$\text{Perimeter} = (2 \times A) + (2 \times B)$$

E.g. Punching a 30\*20 Rectangular hole in 6mm mild steel plate

$$\text{Perimeter} = 60 + 40$$

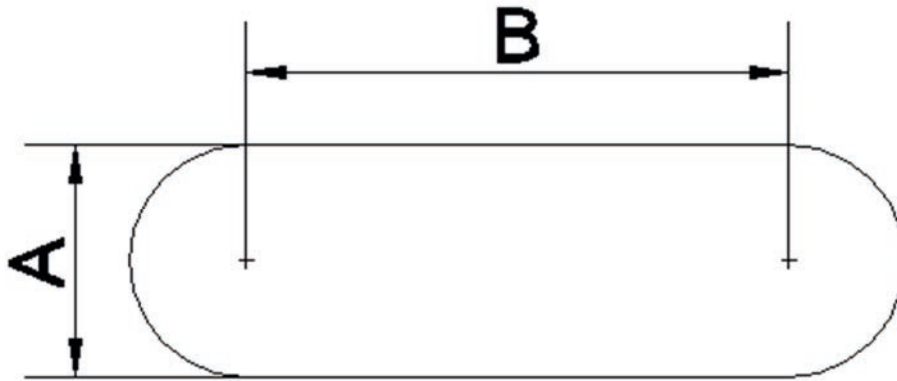
$$\text{Perimeter} = 100$$

$$\text{Force} = 100 \times 45 \times 6 \div 1000$$

(45=tensile strength of mild steel) (6 = thickness of steel)

$$\text{Force} = 27 \text{Tonnes}$$

## Calculation of Tonnage of Elongated Tool



Force (tonnes)=Perimeter of shape(mm) x Tensile strength of the material to be punched (Kg/mm<sup>2</sup>) ÷ 1000

$$\text{Perimeter} = 2xB + Ax3.14$$

E.g. punching a 30\*10 elongated hole in 10mm mild steel plate

$$\text{Perimeter} = 2x20 + 31.4$$

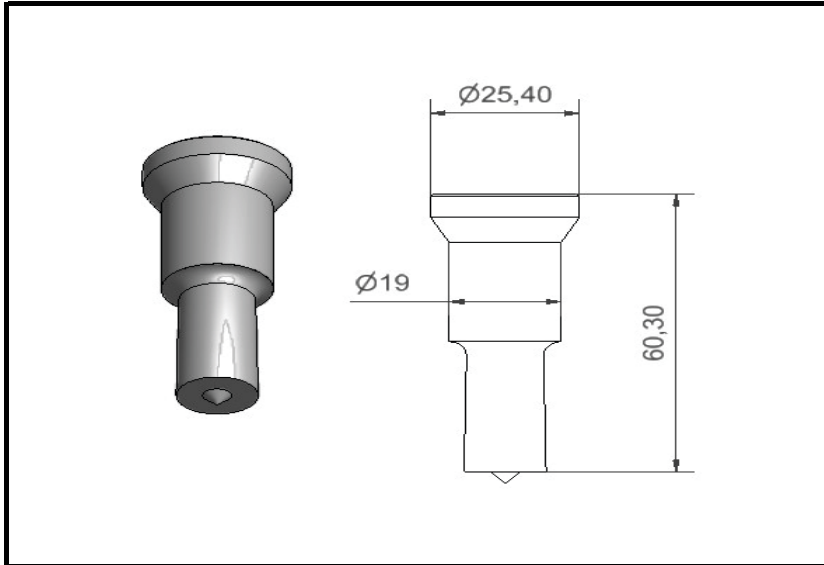
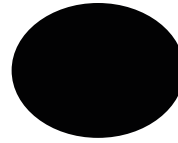
$$\text{Perimeter} = 71.4$$

$$\text{Force} = 71.4 \times 45 \times 10 \div 1000$$

(45=tensile strength of mild steel)(10 = thickness of steel)

$$\text{Force} = 32.13 \text{ Tonnes}$$

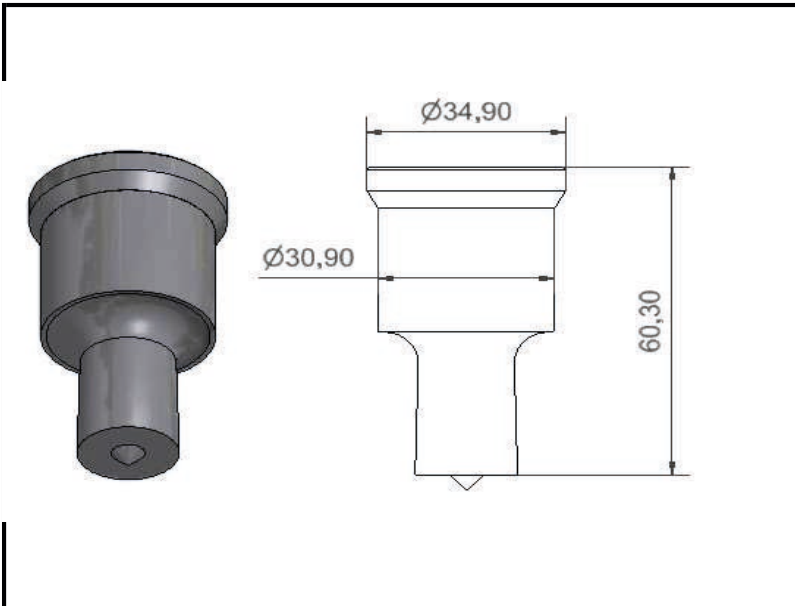
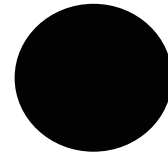
# PUNCHES 9000 SERIES



PUNCH SIZE	PART No
3.00	9000- 3.00
3.50	9000- 3.50
4.00	9000- 4.00
4.50	9000- 4.50
5.00	9000- 5.00
5.50	9000- 5.50
6.00	9000- 6.00
6.50	9000- 6.50
7.00	9000- 7.00
7.50	9000- 7.50
8.00	9000- 8.00
8.50	9000- 8.50
9.00	9000- 9.00
9.50	9000- 9.50
10.00	9000- 10.00
10.50	9000- 10.50
11.00	9000- 11.00
11.50	9000- 11.50
12.00	9000- 12.00
12.50	9000- 12.50
13.00	9000- 13.00
13.50	9000- 13.50
14.00	9000- 14.00
14.50	9000- 14.50
15.00	9000- 15.00
15.50	9000- 15.50
16.00	9000- 16.00
16.50	9000- 16.50
17.00	9000- 17.00
17.50	9000- 17.50
18.00	9000- 18.00
18.50	9000- 18.50
19.00	9000- 19.00

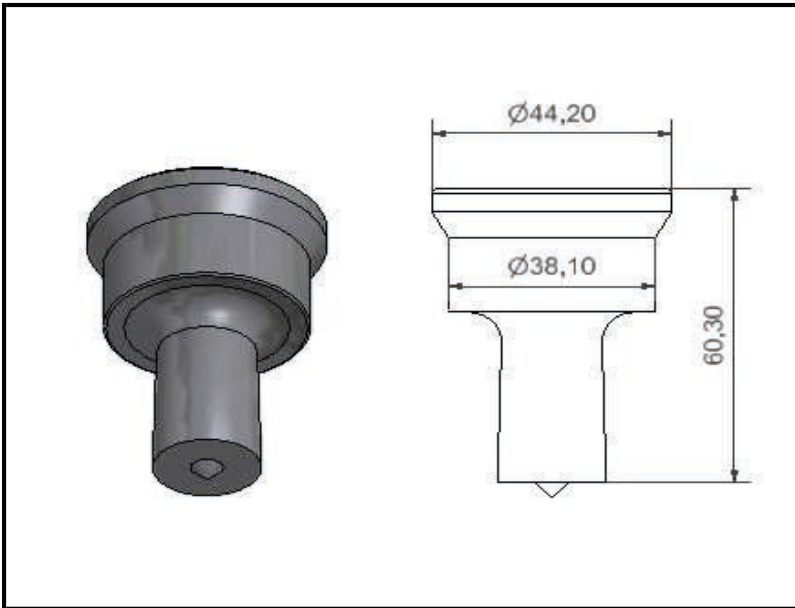
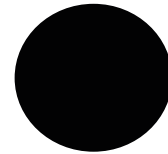
CLEARANCE NEEDS TO BE ADDED TO PUNCH SIZE 10% MATERIAL THICKNESS  
CAN ONLY BE USED WITH DIE SHOE 81029 ALL MACHINES

# PUNCHES 9001 SERIES



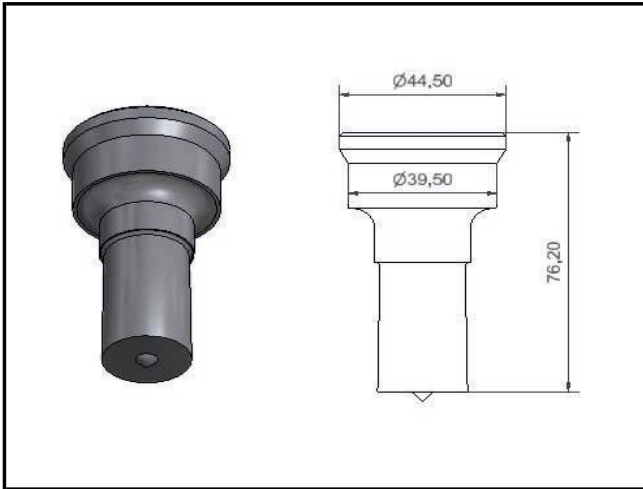
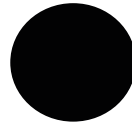
ROUND PUNCH SIZE	PART No
3.00	9001- 3.00
3.50	9001- 3.50
4.00	9001- 4.00
4.50	9001- 4.50
5.00	9001- 5.00
5.50	9001- 5.50
6.00	9001- 6.00
6.50	9001- 6.50
7.00	9001- 7.00
7.50	9001- 7.50
8.00	9001- 8.00
8.50	9001- 8.50
9.00	9001- 9.00
9.50	9001- 9.50
10.00	9001- 10.00
10.50	9001- 10.50
11.00	9001- 11.00
11.50	9001- 11.50
12.00	9001- 12.00
12.50	9001- 12.50
13.00	9001- 13.00
13.50	9001- 13.50
14.00	9001- 14.00
14.50	9001- 14.50
15.00	9001- 15.00
15.50	9001- 15.50
16.00	9001- 16.00
16.50	9001- 16.50
17.00	9001- 17.00
17.50	9001- 17.50
18.00	9001- 18.00
18.50	9001- 18.50
19.00	9001- 19.00
20.00	9001- 20.00
20.50	9001- 20.50
21.00	9001- 21.00
21.50	9001- 21.50
22.00	9001- 22.00
22.50	9001- 22.50
23.00	9001- 23.00
23.50	9001- 23.50
24.00	9001- 24.00
24.50	9001- 24.50
25.00	9001- 25.00
25.50	9001- 25.50
26.00	9001- 26.00
26.50	9001- 26.50
27.00	9001- 27.00
27.50	9001- 27.50
28.00	9001- 28.00
28.50	9001- 28.50
29.00	9001- 29.00
29.50	9001- 29.50
30.00	9001- 30.00
30.50	9001- 30.50

# PUNCHES 9004 SERIES



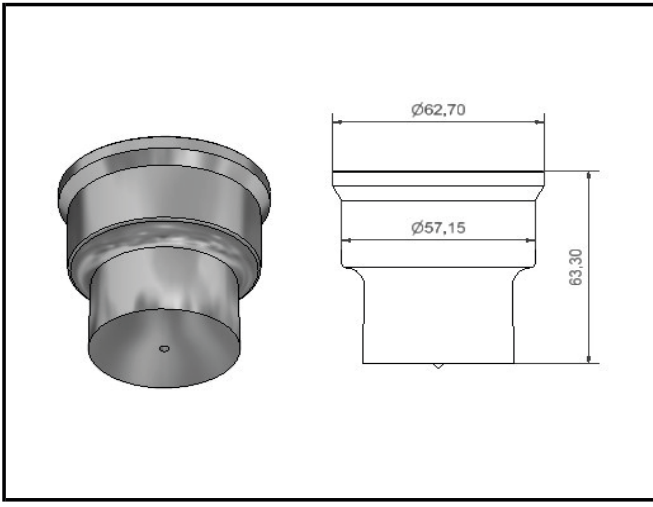
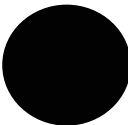
ROUND PUNCH SIZE	PART No
3.00	9004- 3.00
4.00	9004- 4.00
5.00	9004- 5.00
5.50	9004- 5.50
6.00	9004- 6.00
6.50	9004- 6.50
7.00	9004- 7.00
8.00	9004- 8.00
8.50	9004- 8.50
9.00	9004- 9.00
10.00	9004- 10.00
10.50	9004- 10.50
11.00	9004- 11.00
12.00	9004- 12.00
12.50	9004- 12.50
13.00	9004- 13.00
14.00	9004- 14.00
15.00	9004- 15.00
16.00	9004- 16.00
17.00	9004- 17.00
18.00	9004- 18.00
19.00	9004- 19.00
20.00	9004- 20.00
21.00	9004- 21.00
22.00	9004- 22.00
23.00	9004- 23.00
24.00	9004- 24.00
25.00	9004- 25.00
26.00	9004- 26.00
27.00	9004- 27.00
27.50	9004- 27.50
28.00	9004- 28.00
28.50	9004- 28.50
29.00	9004- 29.00
29.50	9004- 29.50
30.00	9004- 30.00
30.50	9004- 30.50
31.00	9004- 31.00
31.50	9004- 31.50
32.00	9004- 32.00
32.50	9004- 32.50
33.00	9004- 33.00
33.50	9004- 33.50
34.00	9004- 34.00
34.50	9004- 34.50
35.00	9004- 35.00
35.50	9004- 35.50
36.00	9004- 36.00
36.50	9004- 36.50
37.00	9004- 37.00
37.50	9004- 37.50
38.00	9004- 38.00

**PUNCHES 9006 SERIES**



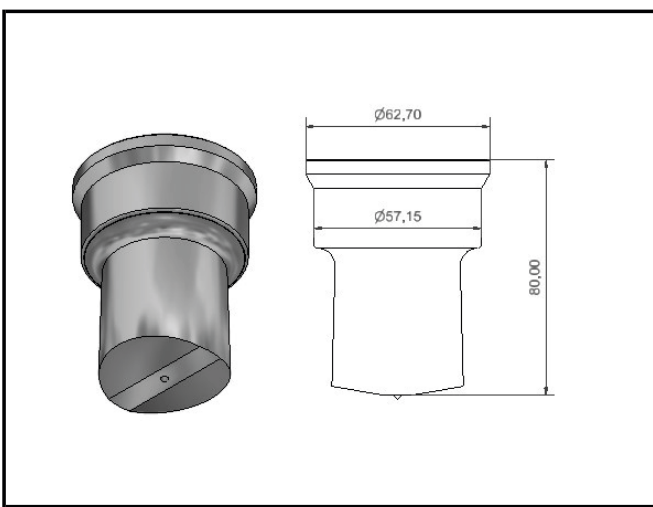
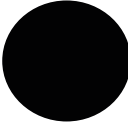
ROUND PUNCH SIZE	PART No
4.00	9006- 4.00
4.50	9006- 4.50
5.00	9006- 5.00
5.50	9006- 5.50
6.00	9006- 6.00
6.50	9006- 6.50
7.00	9006- 7.00
7.50	9006- 7.50
8.00	9006- 8.00
8.50	9006- 8.50
9.00	9006- 9.00
9.50	9006- 9.50
10.00	9006- 10.00
10.50	9006- 10.50
11.00	9006- 11.00
11.50	9006- 11.50
12.00	9006- 12.00
12.50	9006- 12.50
13.00	9006- 13.00
13.50	9006- 13.50
14.00	9006- 14.00
14.50	9006- 14.50
15.00	9006- 15.00
15.50	9006- 15.50
16.00	9006- 16.00
16.50	9006- 16.50
17.00	9006- 17.00
17.50	9006- 17.50
18.00	9006- 18.00
18.50	9006- 18.50
19.00	9006- 19.00
19.50	9006- 19.50
20.00	9006- 20.00
20.50	9006- 20.50
21.00	9006- 21.00
21.50	9006- 21.50
22.00	9006- 22.00
22.50	9006- 22.50
23.00	9006- 23.00
23.50	9006- 23.50
24.00	9006- 24.00
24.50	9006- 24.50
25.00	9006- 25.00
25.50	9006- 25.50
26.00	9006- 26.00
26.50	9006- 26.50
27.00	9006- 27.00
27.50	9006- 27.50
28.00	9006- 28.00
28.50	9006- 28.50
29.00	9006- 29.00
29.50	9006- 29.50
30.00	9006- 30.00
30.50	9006- 30.50
31.00	9006- 31.00
31.50	9006- 31.50
32.00	9006- 32.00
32.50	9006- 32.50
33.00	9006- 33.00
33.50	9006- 33.50
34.00	9006- 34.00
34.50	9006- 34.50
35.00	9006- 35.00
35.50	9006- 35.50
36.00	9006- 36.00
36.50	9006- 36.50
37.00	9006- 37.00
37.50	9006- 37.50
38.00	9006- 38.00
38.50	9006- 38.50
39.00	9006- 39.00
39.50	9006- 39.50

**PUNCHES 9007 SERIES**



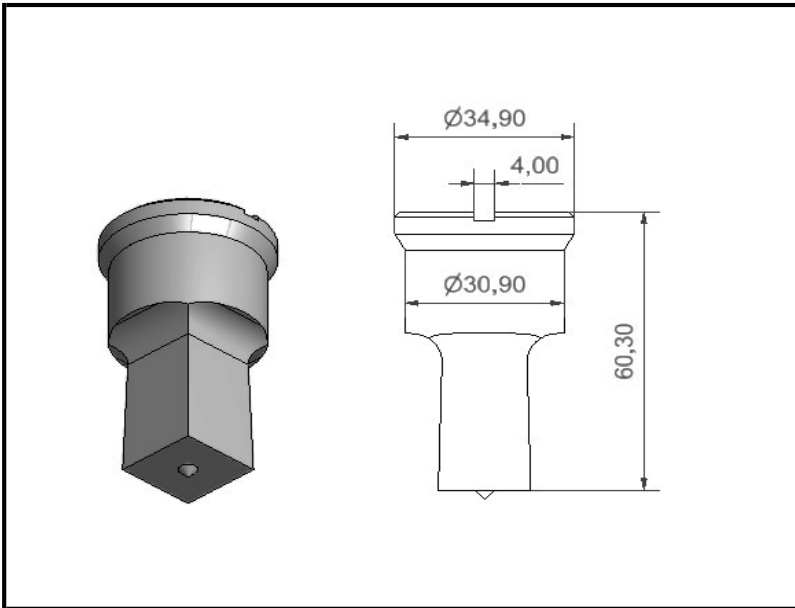
ROUND PUNCH SIZE	PART No
39.00	9007- 39.00
40.00	9007- 40.00
41.00	9007- 41.00
42.00	9007- 42.00
43.00	9007- 43.00
44.00	9007- 44.00
45.00	9007- 45.00
46.00	9007- 46.00
47.00	9007- 47.00
48.00	9007- 48.00
49.00	9007- 49.00
50.00	9007- 50.00
51.00	9007- 51.00
52.00	9007- 52.00
53.00	9007- 53.00
54.00	9007- 54.00
55.00	9007- 55.00
56.00	9007- 56.00
57.00	9007- 57.00

**PUNCHES 9009 SERIES**



ROUND PUNCH SIZE	PART No
39.00	9009- 39.00
40.00	9009- 40.00
41.00	9009- 41.00
42.00	9009- 42.00
43.00	9009- 43.00
44.00	9009- 44.00
45.00	9009- 45.00
46.00	9009- 46.00
47.00	9009- 47.00
48.00	9009- 48.00
49.00	9009- 49.00
50.00	9009- 50.00
51.00	9009- 51.00
52.00	9009- 52.00
53.00	9009- 53.00
54.00	9009- 54.00
55.00	9009- 55.00
56.00	9009- 56.00
57.00	9009- 57.00

# PUNCHES 9171 SERIES



9171 PUNCH SIZE	PART No
6.00	9171- 6.00
6.50	9171- 6.50
7.00	9171- 7.00
7.50	9171- 7.50
8.00	9171- 8.00
8.50	9171- 8.50
9.00	9171- 9.00
9.50	9171- 9.50
10.00	9171- 10.00
10.50	9171- 10.50
11.00	9171- 11.00
11.50	9171- 11.50
12.00	9171- 12.00
12.50	9171- 12.50
13.00	9171- 13.00
13.50	9171- 13.50
14.00	9171- 14.00
14.50	9171- 14.50
15.00	9171- 15.00
15.50	9171- 15.50
16.00	9171- 16.00
16.50	9171- 16.50
17.00	9171- 17.00
17.50	9171- 17.50
18.00	9171- 18.00
18.50	9171- 18.50
19.00	9171- 19.00
20.00	9171- 20.00
20.50	9171- 20.50
21.00	9171- 21.00
21.50	9171- 21.50
22.00	9171- 22.00

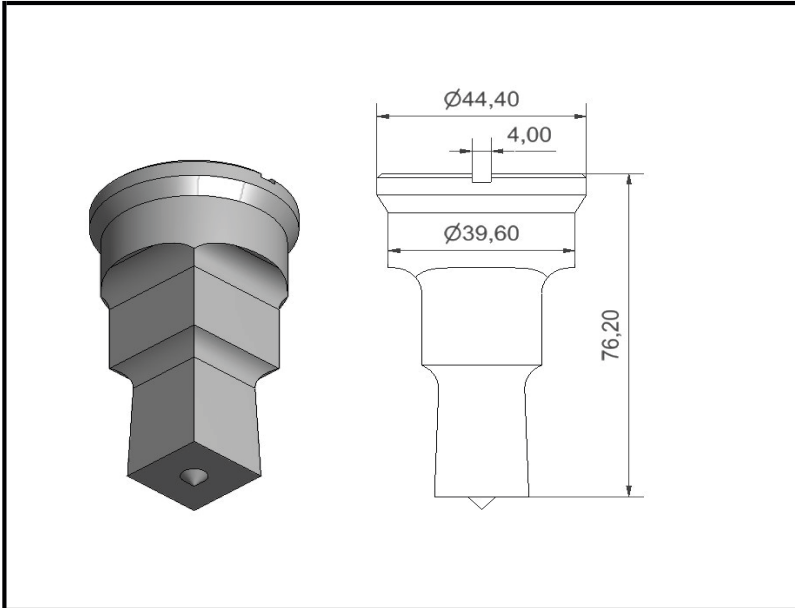


# PUNCHES 9172 SERIES



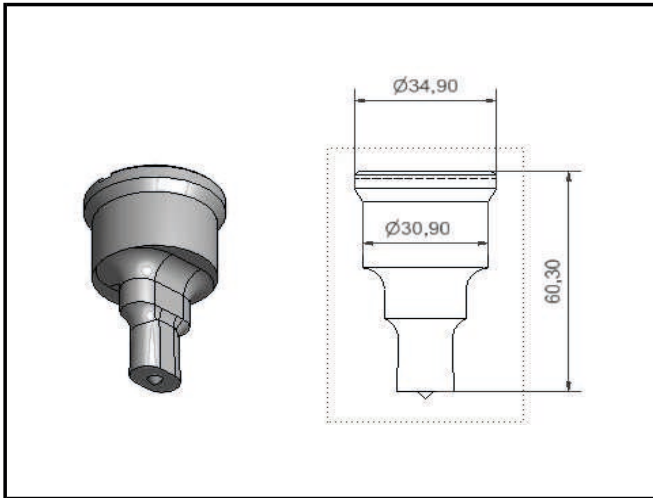
9172 PUNCH SIZE	PART No
8.00	9172- 8.00
9.00	9172- 9.00
10.00	9172- 10.00
15.00	9172- 15.00
19.00	9172- 19.00
21.00	9172- 21.00
21.50	9172- 21.50
22.00	9172- 22.00
22.50	9172- 22.50
23.00	9172- 23.00
23.50	9172- 23.50
24.00	9172- 24.00
24.50	9172- 24.50
25.00	9172- 25.00
25.50	9172- 25.50
26.00	9172- 26.00
26.50	9172- 26.50

# PUNCHES 9174 SERIES



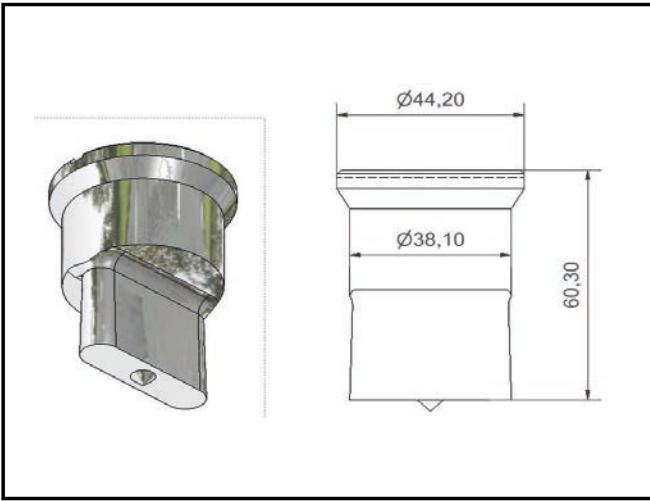
9174 PUNCH SIZE	PART No	
10.00	9174-	10.00
11.00	9174-	11.00
11.50	9174-	11.50
12.00	9174-	12.00
12.50	9174-	12.50
13.00	9174-	13.00
13.50	9174-	13.50
14.00	9174-	14.00
14.50	9174-	14.50
15.00	9174-	15.00
15.50	9174-	15.50
16.00	9174-	16.00
16.50	9174-	16.50
17.00	9174-	17.00
17.50	9174-	17.50
18.00	9174-	18.00
18.50	9174-	18.50
19.00	9174-	19.00
19.50	9174-	19.50
20.00	9174-	20.00
20.50	9174-	20.50
21.00	9174-	21.00
21.50	9174-	21.50
22.00	9174-	22.00
22.50	9174-	22.50
23.00	9174-	23.00
23.50	9174-	23.50
24.00	9174-	24.00
24.50	9174-	24.50
25.00	9174-	25.00
25.50	9174-	25.50
26.00	9174-	26.00
26.50	9174-	26.50

**PUNCHES 9184 SERIES**



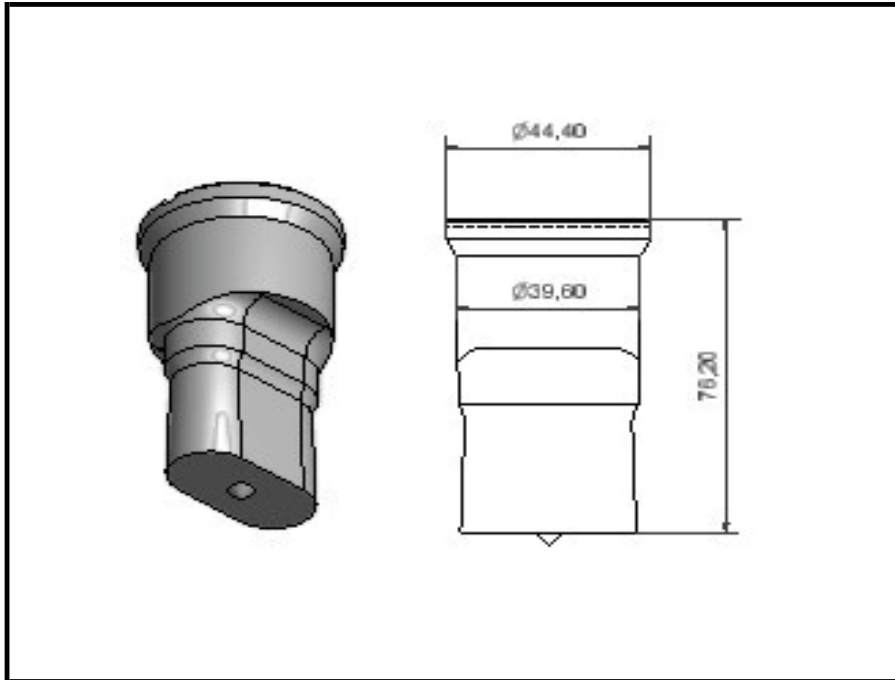
9184 PUNCH SIZE	PART No	9184 PUNCH SIZE	PART No
4*8	9184- 4*8	11*30	9184- 11*30
4*20	9184- 4*20	12*14	9184- 12*14
5*10	9184- 5*10	12*15	9184- 12*15
5*20	9184- 5*20	12*18	9184- 12*18
5*25	9184- 5*25	12*20	9184- 12*20
5*30	9184- 5*30	12*22	9184- 12*22
6*12	9184- 6*12	12*24	9184- 12*24
6*14	9184- 6*14	12*25	9184- 12*25
6*20	9184- 6*20	12*26	9184- 12*26
6*22	9184- 6*22	12*28	9184- 12*28
6*25	9184- 6*25	12*30	9184- 12*30
6*30	9184- 6*30	13*18	9184- 13*18
6.5*25	9184- 6.5*25	13*20	9184- 13*20
6.5*30	9184- 6.5*30	13*21	9184- 13*21
7*10	9184- 7*10	13*22	9184- 13*22
7*12	9184- 7*12	13*25	9184- 13*25
7*15	9184- 7*15	13*26	9184- 13*26
7*20	9184- 7*20	13*30	9184- 13*30
7*21	9184- 7*21	14*18	9184- 14*18
7*25	9184- 7*25	14*20	9184- 14*20
7*30	9184- 7*30	14*22	9184- 14*22
8*15	9184- 8*15	14*23	9184- 14*23
8*16	9184- 8*16	14*24	9184- 14*24
8*20	9184- 8*20	14*25	9184- 14*25
8*22	9184- 8*22	14*26	9184- 14*26
8*25	9184- 8*25	14*28	9184- 14*28
8*30	9184- 8*30	14*30	9184- 14*30
8.5*20	9184- 8.5*20	15*20	9184- 15*20
8.5*25	9184- 8.5*25	15*22	9184- 15*22
8.5*30	9184- 8.5*30	15*25	9184- 15*25
9*11	9184- 9*11	15*26	9184- 15*26
9*13	9184- 9*13	15*28	9184- 15*28
9*15	9184- 9*15	15*30	9184- 15*30
9*16	9184- 9*16	16*20	9184- 16*20
9*18	9184- 9*18	16*22	9184- 16*22
9*20	9184- 9*20	16*25	9184- 16*25
9*22	9184- 9*22	16*26	9184- 16*26
9*24	9184- 9*24	16*30	9184- 16*30
9*25	9184- 9*25	16.5*25	9184- 16.5*25
9*27	9184- 9*27	17*20	9184- 17*20
9*30	9184- 9*30	17*24	9184- 17*24
10*15	9184- 10*15	17*25	9184- 17*25
10*16	9184- 10*16	17*26	9184- 17*26
10*18	9184- 10*18	17*30	9184- 17*30
10*20	9184- 10*20	18*20	9184- 18*20
10*22	9184- 10*22	18*22	9184- 18*22
10*24	9184- 10*24	18*24	9184- 18*24
10*25	9184- 10*25	18*25	9184- 18*25
10*26	9184- 10*26	18*26	9184- 18*26
10*27	9184- 10*27	18*28	9184- 18*28
10*28	9184- 10*28	18*30	9184- 18*30
10*30	9184- 10*30	18.5*20	9184- 18.5*20
10.5*20	9184- 10.5*20	19*20	9184- 19*20
10.5*25	9184- 10.5*25	19*22	9184- 19*22
11*15	9184- 11*15	19*28	9184- 19*28
11*18	9184- 11*18	19*30	9184- 19*30
11*20	9184- 11*20	20*28	9184- 20*28
11*21	9184- 11*21	20*30	9184- 20*30
11*22	9184- 11*22	22*30	9184- 22*30
11*24	9184- 11*24	23*30	9184- 23*30
11*25	9184- 11*25	24*30	9184- 24*30
11*28	9184- 11*28	25*30	9184- 25*30

**PUNCHES 9185 SERIES**



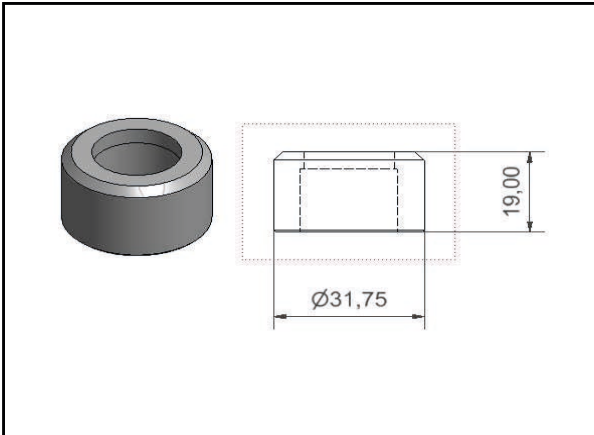
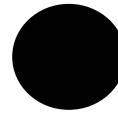
9184 PUNCH SIZE	PART No	9184 PUNCH SIZE	PART No
4*8	9184- 4*8	11*30	9184- 11*30
4*20	9184- 4*20	12*14	9184- 12*14
5*10	9184- 5*10	12*15	9184- 12*15
5*20	9184- 5*20	12*18	9184- 12*18
5*25	9184- 5*25	12*20	9184- 12*20
5*30	9184- 5*30	12*22	9184- 12*22
6*12	9184- 6*12	12*24	9184- 12*24
6*14	9184- 6*14	12*25	9184- 12*25
6*20	9184- 6*20	12*26	9184- 12*26
6*22	9184- 6*22	12*28	9184- 12*28
6*25	9184- 6*25	12*30	9184- 12*30
6*30	9184- 6*30	13*18	9184- 13*18
6.5*25	9184- 6.5*25	13*20	9184- 13*20
6.5*30	9184- 6.5*30	13*21	9184- 13*21
7*10	9184- 7*10	13*22	9184- 13*22
7*12	9184- 7*12	13*25	9184- 13*25
7*15	9184- 7*15	13*26	9184- 13*26
7*20	9184- 7*20	13*30	9184- 13*30
7*21	9184- 7*21	14*18	9184- 14*18
7*25	9184- 7*25	14*20	9184- 14*20
7*30	9184- 7*30	14*22	9184- 14*22
8*15	9184- 8*15	14*23	9184- 14*23
8*16	9184- 8*16	14*24	9184- 14*24
8*20	9184- 8*20	14*25	9184- 14*25
8*22	9184- 8*22	14*26	9184- 14*26
8*25	9184- 8*25	14*28	9184- 14*28
8*30	9184- 8*30	14*30	9184- 14*30
8.5*20	9184- 8.5*20	15*20	9184- 15*20
8.5*25	9184- 8.5*25	15*22	9184- 15*22
8.5*30	9184- 8.5*30	15*25	9184- 15*25
9*11	9184- 9*11	15*26	9184- 15*26
9*13	9184- 9*13	15*28	9184- 15*28
9*15	9184- 9*15	15*30	9184- 15*30
9*16	9184- 9*16	16*20	9184- 16*20
9*18	9184- 9*18	16*22	9184- 16*22
9*20	9184- 9*20	16*25	9184- 16*25
9*22	9184- 9*22	16*26	9184- 16*26
9*24	9184- 9*24	16*30	9184- 16*30
9*25	9184- 9*25	16.5*25	9184- 16.5*25
9*27	9184- 9*27	17*20	9184- 17*20
9*30	9184- 9*30	17*24	9184- 17*24
10*15	9184- 10*15	17*25	9184- 17*25
10*16	9184- 10*16	17*26	9184- 17*26
10*18	9184- 10*18	17*30	9184- 17*30
10*20	9184- 10*20	18*20	9184- 18*20
10*22	9184- 10*22	18*22	9184- 18*22
10*24	9184- 10*24	18*24	9184- 18*24
10*25	9184- 10*25	18*25	9184- 18*25
10*26	9184- 10*26	18*26	9184- 18*26
10*27	9184- 10*27	18*28	9184- 18*28
10*28	9184- 10*28	18*30	9184- 18*30
10*30	9184- 10*30	18.5*20	9184- 18.5*20
10.5*20	9184- 10.5*20	19*20	9184- 19*20
10.5*25	9184- 10.5*25	19*22	9184- 19*22
11*15	9184- 11*15	19*28	9184- 19*28
11*18	9184- 11*18	19*30	9184- 19*30
11*20	9184- 11*20	20*28	9184- 20*28
11*21	9184- 11*21	20*30	9184- 20*30
11*22	9184- 11*22	22*30	9184- 22*30
11*24	9184- 11*24	23*30	9184- 23*30
11*25	9184- 11*25	24*30	9184- 24*30
11*28	9184- 11*28	25*30	9184- 25*30

# PUNCHES 9187 SERIES



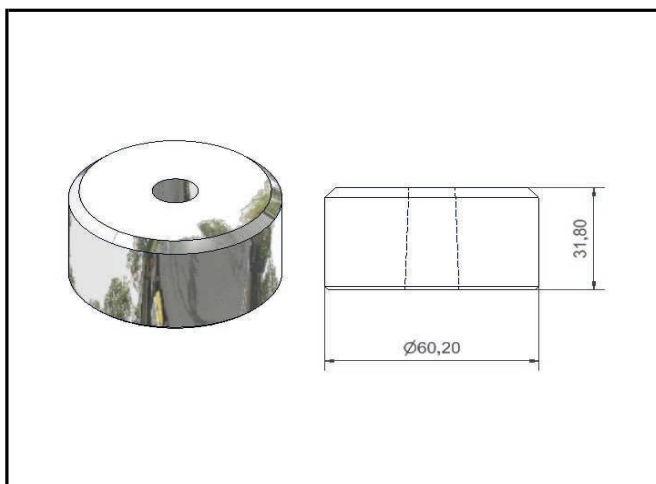
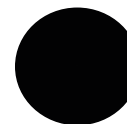
9187 PUNCH SIZE	PART No
5*10	9187- 5*10
6*20	9187- 6*20
8*16	9187- 8*16
8*30	9187- 8*30
9*30	9187- 9*30
10*20	9187- 10*20
10*24	9187- 10*24
310*25	9187- 10*25
10*30	9187- 10*30
10*38	9187- 10*38
11*20	9187- 11*20
11*25	9187- 11*25
11*30	9187- 11*30
11*38	9187- 11*38
12*24	9187- 12*24
12*25	9187- 12*25
12*30	9187- 12*30
12*35	9187- 12*35
12*38	9187- 12*38
13*26	9187- 13*26
14*20	9187- 14*20
14*24	9187- 14*24
14*25	9187- 14*25
14*28	9187- 14*28
14*30	9187- 14*30
14*34	9187- 14*34
14*38	9187- 14*38
15*30	9187- 15*30
16*24	9187- 16*24
16*25	9187- 16*25
16*30	9187- 16*30
16*36	9187- 16*36
16*38	9187- 16*38
17*34	9187- 17*34
17*35	9187- 17*35
18*25	9187- 18*25
18*28	9187- 18*28
18*30	9187- 18*30
18*36	9187- 18*36
18*38	9187- 18*38
20*30	9187- 20*30
20*38	9187- 20*38
22*28	9187- 22*28
22*30	9187- 22*30
22*38	9187- 22*38
24*38	9187- 24*38
26*38	9187- 26*38
30*38	9187- 30*38

**Dies 9020 SERIES**



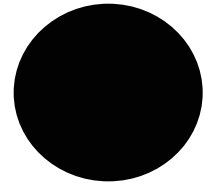
DIE SIZE	PART No	DIE SIZE	PART No
3.40	9020- 3.40	12	9020- 12
3.50	9020- 3.50	12.2	9020- 12.2
3.60	9020- 3.60	12.4	9020- 12.4
3.80	9020- 3.80	12.5	9020- 12.5
4.00	9020- 4.00	12.6	9020- 12.6
4.20	9020- 4.20	12.8	9020- 12.8
4.40	9020- 4.40	13	9020- 13
4.50	9020- 4.50	13.2	9020- 13.2
4.60	9020- 4.60	13.4	9020- 13.4
4.80	9020- 4.80	13.5	9020- 13.5
5.00	9020- 5.00	13.6	9020- 13.6
5.20	9020- 5.20	13.8	9020- 13.8
5.40	9020- 5.40	14	9020- 14
5.50	9020- 5.50	14.2	9020- 14.2
5.60	9020- 5.60	14.4	9020- 14.4
5.80	9020- 5.80	14.5	9020- 14.5
6.00	9020- 6.00	14.6	9020- 14.6
6.20	9020- 6.20	14.8	9020- 14.8
6.40	9020- 6.40	15	9020- 15
6.50	9020- 6.50	15.2	9020- 15.2
6.60	9020- 6.60	15.4	9020- 15.4
6.80	9020- 6.80	15.5	9020- 15.5
7.00	9020- 7.00	15.6	9020- 15.6
7.20	9020- 7.20	15.8	9020- 15.8
7.40	9020- 7.40	16	9020- 16
7.50	9020- 7.50	16.2	9020- 16.2
7.60	9020- 7.60	16.4	9020- 16.4
7.80	9020- 7.80	16.5	9020- 16.5
8.00	9020- 8.00	16.6	9020- 16.6
8.20	9020- 8.20	16.8	9020- 16.8
8.40	9020- 8.40	17	9020- 17
8.50	9020- 8.50	17.2	9020- 17.2
8.60	9020- 8.60	17.4	9020- 17.4
8.80	9020- 8.80	17.5	9020- 17.5
9.00	9020- 9.00	17.6	9020- 17.6
9.20	9020- 9.20	17.8	9020- 17.8
9.40	9020- 9.40	18	9020- 18
9.50	9020- 9.50	18.2	9020- 18.2
9.60	9020- 9.60	18.4	9020- 18.4
9.80	9020- 9.80	18.6	9020- 18.6
10.00	9020- 10.00	18.8	9020- 18.8
10.2	9020- 10.2	19	9020- 19
10.4	9020- 10.4	19.2	9020- 19.2
10.5	9020- 10.5	19.4	9020- 19.4
10.6	9020- 10.6	19.5	9020- 19.5
10.8	9020- 10.8	19.6	9020- 19.6
11	9020- 11	19.8	9020- 19.8
11.2	9020- 11.2	20	9020- 20
11.4	9020- 11.4		
11.5	9020- 11.5		
11.6	9020- 11.6		
11.8	9020- 11.8		

CLEARANCE NEEDS TO BE ADDED TO PUNCH SIZE 10% MATERIAL THICKNESS  
CAN ONLY BE USED WITH DIE SHOE 81029 ALL MACHINES

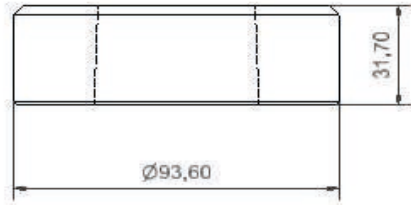
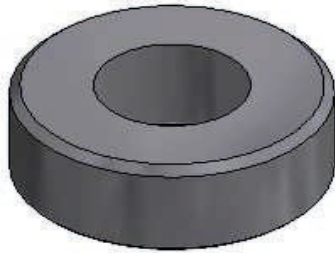


DIE SIZE	PART No	DIE SIZE	PART No	DIE SIZE	PART No
3.20	9023- 3.20	16.20	9023- 16.20	29.20	9023- 29.20
3.40	9023- 3.40	16.40	9023- 16.40	29.40	9023- 29.40
3.60	9023- 3.60	16.60	9023- 16.60	29.60	9023- 29.60
3.80	9023- 3.80	16.80	9023- 16.80	29.80	9023- 29.80
4.00	9023- 4.00	17.00	9023- 17.00	30.00	9023- 30.00
4.20	9023- 4.20	17.20	9023- 17.20	30.20	9023- 30.20
4.40	9023- 4.40	17.40	9023- 17.40	30.40	9023- 30.40
4.60	9023- 4.60	17.60	9023- 17.60	30.60	9023- 30.60
4.80	9023- 4.80	17.80	9023- 17.80	30.80	9023- 30.80
5.00	9023- 5.00	18.00	9023- 18.00	31.00	9023- 31.00
5.20	9023- 5.20	18.20	9023- 18.20	31.20	9023- 31.20
5.40	9023- 5.40	18.40	9023- 18.40	31.40	9023- 31.40
5.60	9023- 5.60	18.60	9023- 18.60	31.60	9023- 31.60
5.80	9023- 5.80	18.80	9023- 18.80	31.80	9023- 31.80
6.00	9023- 6.00	19.00	9023- 19.00	32.00	9023- 32.00
6.20	9023- 6.20	19.20	9023- 19.20	32.20	9023- 32.20
6.40	9023- 6.40	19.40	9023- 19.40	32.40	9023- 32.40
6.60	9023- 6.60	19.60	9023- 19.60	32.60	9023- 32.60
6.80	9023- 6.80	19.80	9023- 19.80	32.80	9023- 32.80
7.00	9023- 7.00	20.00	9023- 20.00	33.00	9023- 33.00
7.20	9023- 7.20	20.20	9023- 20.20	33.20	9023- 33.20
7.40	9023- 7.40	20.40	9023- 20.40	33.40	9023- 33.40
7.60	9023- 7.60	20.60	9023- 20.60	33.60	9023- 33.60
7.80	9023- 7.80	20.80	9023- 20.80	33.80	9023- 33.80
8.00	9023- 8.00	21.00	9023- 21.00	34.00	9023- 34.00
8.20	9023- 8.20	21.20	9023- 21.20	34.20	9023- 34.20
8.40	9023- 8.40	21.40	9023- 21.40	34.40	9023- 34.40
8.60	9023- 8.60	21.60	9023- 21.60	34.60	9023- 34.60
8.80	9023- 8.80	21.80	9023- 21.80	34.80	9023- 34.80
9.00	9023- 9.00	22.00	9023- 22.00	35.00	9023- 35.00
9.20	9023- 9.20	22.20	9023- 22.20	35.20	9023- 35.20
9.40	9023- 9.40	22.40	9023- 22.40	35.40	9023- 35.40
9.60	9023- 9.60	22.60	9023- 22.60	35.60	9023- 35.60
9.80	9023- 9.80	22.80	9023- 22.80	35.80	9023- 35.80
10.00	9023- 10.00	23.00	9023- 23.00	36.00	9023- 36.00
10.20	9023- 10.20	23.20	9023- 23.20	36.20	9023- 36.20
10.40	9023- 10.40	23.40	9023- 23.40	36.40	9023- 36.40
10.60	9023- 10.60	23.60	9023- 23.60	36.60	9023- 36.60
10.80	9023- 10.80	23.80	9023- 23.80	36.80	9023- 36.80
11.00	9023- 11.00	24.00	9023- 24.00	37.00	9023- 37.00
11.20	9023- 11.20	24.20	9023- 24.20	37.20	9023- 37.20
11.40	9023- 11.40	24.40	9023- 24.40	37.40	9023- 37.40
11.60	9023- 11.60	24.60	9023- 24.60	37.60	9023- 37.60
11.80	9023- 11.80	24.80	9023- 24.80	37.80	9023- 37.80
12.00	9023- 12.00	25.00	9023- 25.00	38.00	9023- 38.00
12.20	9023- 12.20	25.20	9023- 25.20	38.20	9023- 38.20
12.40	9023- 12.40	25.40	9023- 25.40	38.40	9023- 38.40
12.60	9023- 12.60	25.60	9023- 25.60	38.60	9023- 38.60
12.80	9023- 12.80	25.80	9023- 25.80	38.80	9023- 38.80
13.00	9023- 13.00	26.00	9023- 26.00	39.00	9023- 39.00
13.20	9023- 13.20	26.20	9023- 26.20	39.20	9023- 39.20
13.40	9023- 13.40	26.40	9023- 26.40	39.40	9023- 39.40
13.60	9023- 13.60	26.60	9023- 26.60	39.60	9023- 39.60
13.80	9023- 13.80	26.80	9023- 26.80	39.80	9023- 39.80
14.00	9023- 14.00	27.00	9023- 27.00	40.00	9023- 40.00
14.20	9023- 14.20	27.20	9023- 27.20	40.20	9023- 40.20
14.40	9023- 14.40	27.40	9023- 27.40	40.40	9023- 40.40
14.60	9023- 14.60	27.60	9023- 27.60	40.60	9023- 40.60
14.80	9023- 14.80	27.80	9023- 27.80	40.80	9023- 40.80
15.00	9023- 15.00	28.00	9023- 28.00		
15.20	9023- 15.20	28.20	9023- 28.20		
15.40	9023- 15.40	28.40	9023- 28.40		
15.60	9023- 15.60	28.60	9023- 28.60		
15.80	9023- 15.80	28.80	9023- 28.80		
16.00	9023- 16.00	29.00	9023- 29.00		

# Dies 9024 SERIES

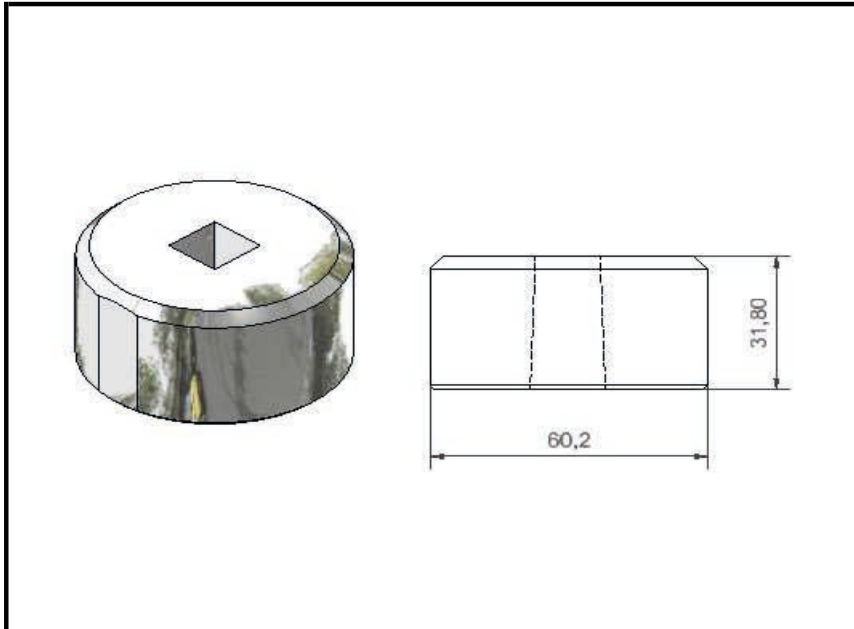


DIE SIZE	PART No	
40.20	9024-	40.20
40.40	9024-	40.40
40.60	9024-	40.60
40.80	9024-	40.80
41.00	9024-	41.00
41.60	9024-	41.60
42.00	9024-	42.00
42.60	9024-	42.60
43.00	9024-	43.00
43.60	9024-	43.60
44.00	9024-	44.00
44.60	9024-	44.60
45.00	9024-	45.00
45.40	9024-	45.40
45.60	9024-	45.60
45.80	9024-	45.80
46.00	9024-	46.00
46.60	9024-	46.60
47.00	9024-	47.00
47.60	9024-	47.60
48.00	9024-	48.00
48.60	9024-	48.60
49.00	9024-	49.00
49.60	9024-	49.60
50.00	9024-	50.00
50.20	9024-	50.20
50.40	9024-	50.40
50.60	9024-	50.60
50.80	9024-	50.80
51.00	9024-	51.00
51.60	9024-	51.60
52.00	9024-	52.00
52.60	9024-	52.60
53.00	9024-	53.00
53.60	9024-	53.60
54.00	9024-	54.00
54.60	9024-	54.60
55.00	9024-	55.00
55.60	9024-	55.60
56.00	9024-	56.00
56.60	9024-	56.60
57.00	9024-	57.00
57.60	9024-	57.60
58.00	9024-	58.00



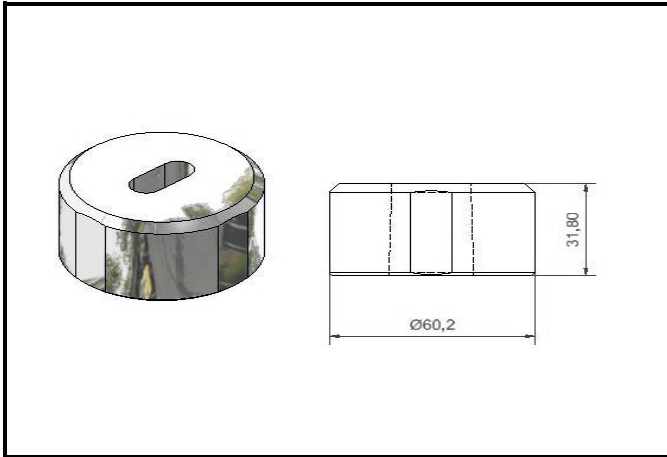


# Dies 9213 SERIES

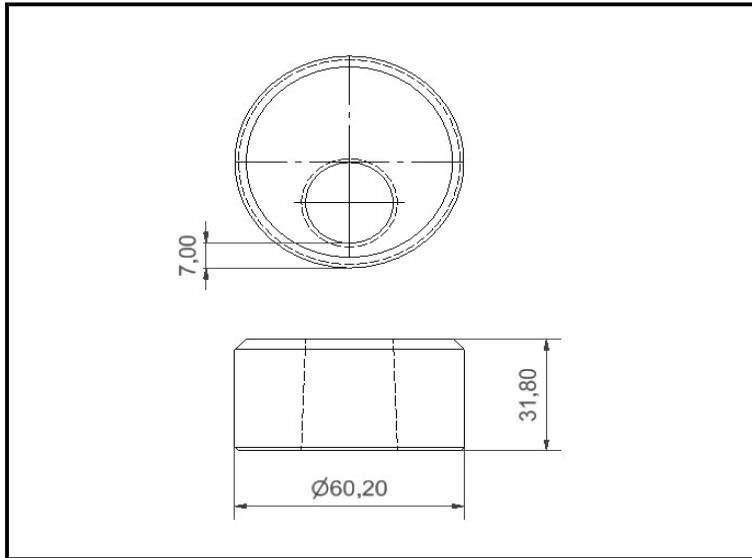
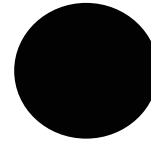


DIE SIZE	PART No
6.20	9213- 6.20
6.80	9213- 6.80
7.20	9213- 7.20
7.80	9213- 7.80
8.20	9213- 8.20
8.80	9213- 8.80
9.20	9213- 9.20
9.80	9213- 9.80
10.20	9213- 10.20
10.80	9213- 10.80
11.20	9213- 11.20
11.80	9213- 11.80
12.20	9213- 12.20
12.80	9213- 12.80
13.20	9213- 13.20
13.80	9213- 13.80
14.20	9213- 14.20
14.80	9213- 14.80
15.20	9213- 15.20
15.80	9213- 15.80
16.20	9213- 16.20
16.80	9213- 16.80
17.20	9213- 17.20
17.80	9213- 17.80
18.20	9213- 18.20
18.80	9213- 18.80
19.20	9213- 19.20
19.80	9213- 19.80
20.20	9213- 20.20
20.80	9213- 20.80
21.20	9213- 21.20
21.80	9213- 21.80
22.20	9213- 22.20
22.80	9213- 22.80
23.20	9213- 23.20
23.80	9213- 23.80
24.20	9213- 24.20
24.80	9213- 24.80
25.20	9213- 25.20
25.80	9213- 25.80
26.20	9213- 26.20
26.80	9213- 26.80

**Dies 9221 SERIES**

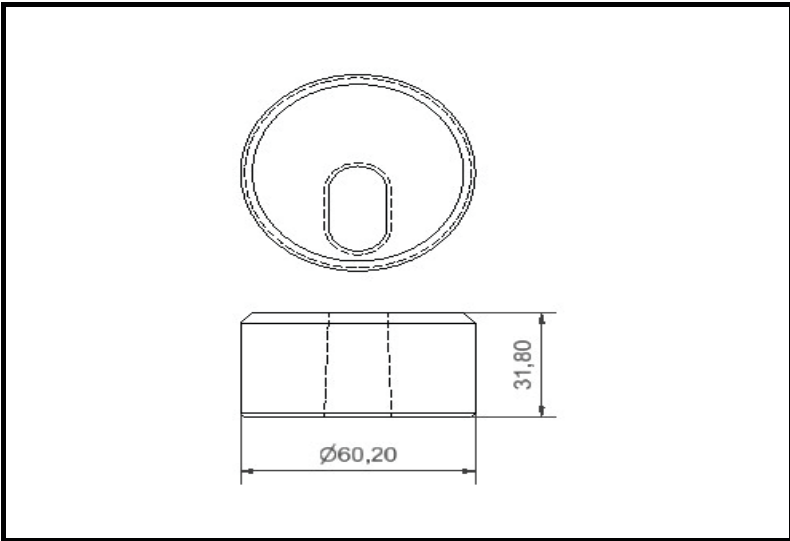


DIE SIZE	PART No	DIE SIZE	PART No	DIE SIZE	PART No
4.5*8.5	9221- 4.5*8.5	12*33	9221- 12*33	17*35	9221- 17*35
5.5*10.5	9221- 5.5*10.5	12*36	9221- 12*36	17*36	9221- 17*36
5.5*20.5	9221- 5.5*20.5	12*39	9221- 12*39	17*37	9221- 17*37
5.5*30.5	9221- 5.5*30.5	12.5*24.5	9221- 12.5*24.5	17*39	9221- 17*39
5.6*20.6	9221- 5.6*20.6	12.8*24.8	9221- 12.8*24.8	17.5*26	9221- 17.5*26
6*25	9221- 6*25	12.8*30.8	9221- 12.8*30.8	17.5*34.5	9221- 17.5*34.5
6.5*12.5	9221- 6.5*12.5	13*16	9221- 13*16	17.8*34.8	9221- 17.8*34.8
6.5*20.5	9221- 6.5*20.5	13*18	9221- 13*18	18*21	9221- 18*21
6.5*25.5	9221- 6.5*25.5	13*20	9221- 13*20	18*26	9221- 18*26
6.8*12.8	9221- 6.8*12.8	13*21	9221- 13*21	18*27	9221- 18*27
6.8*20.8	9221- 6.8*20.8	13*23	9221- 13*23	18*31	9221- 18*31
7*20	9221- 7*20	13*25	9221- 13*25	18*34	9221- 18*34
7.5*14.5	9221- 7.5*14.5	13*26	9221- 13*26	18*35	9221- 18*35
7.8*12.8	9221- 7.8*12.8	13*27	9221- 13*27	18*36	9221- 18*36
7.8*14.8	9221- 7.8*14.8	13*29	9221- 13*29	18*39	9221- 18*39
7.8*15.8	9221- 7.8*15.8	13*31	9221- 13*31	18.5*36.5	9221- 18.5*36.5
7.8*21.8	9221- 7.8*21.8	13*33	9221- 13*33	18.8*36.8	9221- 18.8*36.8
7.8*30.8	9221- 7.8*30.8	13*36	9221- 13*36	19*23	9221- 19*23
8*38	9221- 8*38	13*39	9221- 13*39	19*25	9221- 19*25
8.5*16.5	9221- 8.5*16.5	13.5*26.5	9221- 13.5*26.5	19*26	9221- 19*26
8.8*15.8	9221- 8.8*15.8	13.8*26.8	9221- 13.8*26.8	19*27	9221- 19*27
8.8*16.8	9221- 8.8*16.8	14*18	9221- 14*18	19*29	9221- 19*29
8.8*20.8	9221- 8.8*20.8	14*19	9221- 14*19	19*31	9221- 19*31
8.8*22.8	9221- 8.8*22.8	14*21	9221- 14*21	19*33	9221- 19*33
8.8*25.8	9221- 8.8*25.8	14*26	9221- 14*26	19*36	9221- 19*36
8.8*30.8	9221- 8.8*30.8	14*27	9221- 14*27	19*37	9221- 19*37
8.8*38.8	9221- 8.8*38.8	14*29	9221- 14*29	19*39	9221- 19*39
9.5*18.5	9221- 9.5*18.5	14*31	9221- 14*31	19.5*38.5	9221- 19.5*38.5
9.8*13.8	9221- 9.8*13.8	14*36	9221- 14*36	19.8*38.8	9221- 19.8*38.8
9.8*15.8	9221- 9.8*15.8	14*39	9221- 14*39	20*31	9221- 20*31
9.8*16.8	9221- 9.8*16.8	14.2*31.2	9221- 14.2*31.2	20*32	9221- 20*32
9.8*18.8	9221- 9.8*18.8	14.5*28.5	9221- 14.5*28.5	20*39	9221- 20*39
9.8*20.8	9221- 9.8*20.8	14.8*28.8	9221- 14.8*28.8	21*31	9221- 21*31
9.8*22.8	9221- 9.8*22.8	15*21	9221- 15*21	21*39	9221- 21*39
9.8*25.8	9221- 9.8*25.8	15*23	9221- 15*23	22*39	9221- 22*39
9.8*30.8	9221- 9.8*30.8	15*25	9221- 15*25	23*31	9221- 23*31
9.8*38.8	9221- 9.8*38.8	15*26	9221- 15*26	23*35	9221- 23*35
10.4*38.4	9221- 10.4*38.4	15*27	9221- 15*27	23*36	9221- 23*36
10.5*20.5	9221- 10.5*20.5	15*29	9221- 15*29	23*37	9221- 23*37
10.8*15.8	9221- 10.8*15.8	15*31	9221- 15*31	23*39	9221- 23*39
10.8*18.8	9221- 10.8*18.8	15*32	9221- 15*32	26*31	9221- 26*31
10.8*20.8	9221- 10.8*20.8	15*35	9221- 15*35	26*39	9221- 26*39
10.8*22.8	9221- 10.8*22.8	15*36	9221- 15*36	27*39	9221- 27*39
10.8*24.8	9221- 10.8*24.8	15*37	9221- 15*37	29*39	9221- 29*39
10.8*25.8	9221- 10.8*25.8	15*39	9221- 15*39	30*38	9221- 30*38
10.8*28.8	9221- 10.8*28.8	15.5*30.5	9221- 15.5*30.5	25*31	9221- 25*31
10.8*30.8	9221- 10.8*30.8	15.8*30.8	9221- 15.8*30.8		
10.8*35.8	9221- 10.8*35.8	16*21	9221- 16*21		
10.8*38.8	9221- 10.8*38.8	16*23	9221- 16*23		
11*20.5	9221- 11*20.5	16*26	9221- 16*26		
11*29	9221- 11*29	16*28	9221- 16*28		
11*36	9221- 11*36	16*29	9221- 16*29		
11.3*15.8	9221- 11.3*15.8	16*31	9221- 16*31		
11.3*25.8	9221- 11.3*25.8	16*35	9221- 16*35		
11.5*22.5	9221- 11.5*22.5	16*36	9221- 16*36		
11.6*21.6	9221- 11.6*21.6	16*38	9221- 16*38		
11.8*22.8	9221- 11.8*22.8	16*39	9221- 16*39		
12*15	9221- 12*15	16.5*32.5	9221- 16.5*32.5		
12*19	9221- 12*19	16.8*32.8	9221- 16.8*32.8		
12*21	9221- 12*21	17*21	9221- 17*21		
12*23	9221- 12*23	17*23	9221- 17*23		
12*25	9221- 12*25	17*26	9221- 17*26		
12*26	9221- 12*26	17*27	9221- 17*27		
12*29	9221- 12*29	17*31	9221- 17*31		
12*31	9221- 12*31	17*33	9221- 17*33		



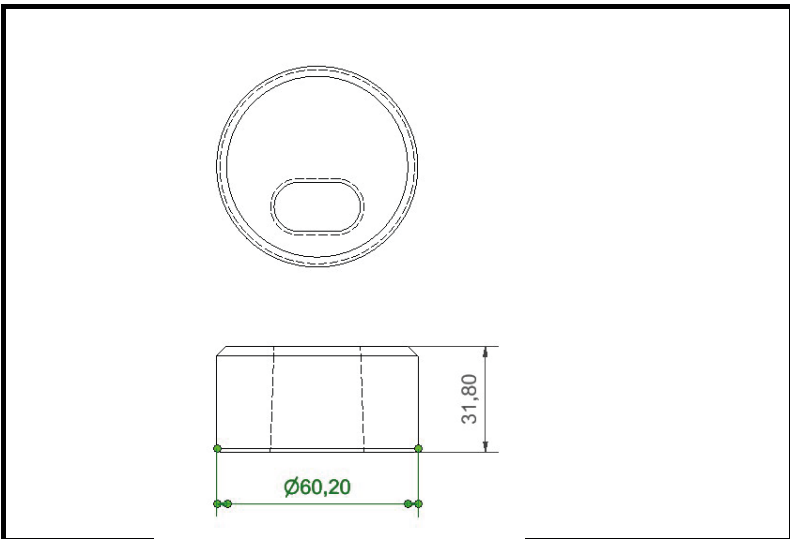
DIE SIZE	PART No	DIE SIZE	PART No
3.60	9023E- 3.60	15.00	9023E- 15.00
4.00	9023E- 4.00	15.50	9023E- 15.50
4.60	9023E- 4.60	15.80	9023E- 15.80
5.00	9023E- 5.00	16.00	9023E- 16.00
5.50	9023E- 5.50	16.50	9023E- 16.50
5.60	9023E- 5.60	16.60	9023E- 16.60
5.80	9023E- 5.80	16.80	9023E- 16.80
6.00	9023E- 6.00	17.00	9023E- 17.00
6.20	9023E- 6.20	17.40	9023E- 17.40
6.50	9023E- 6.50	17.50	9023E- 17.50
6.60	9023E- 6.60	17.80	9023E- 17.80
6.80	9023E- 6.80	18.00	9023E- 18.00
7.00	9023E- 7.00	18.50	9023E- 18.50
7.20	9023E- 7.20	18.60	9023E- 18.60
7.40	9023E- 7.40	18.80	9023E- 18.80
7.60	9023E- 7.60	19.00	9023E- 19.00
7.80	9023E- 7.80	19.20	9023E- 19.20
8.00	9023E- 8.00	19.50	9023E- 19.50
8.20	9023E- 8.20	19.80	9023E- 19.80
8.60	9023E- 8.60	20.00	9023E- 20.00
8.80	9023E- 8.80	20.50	9023E- 20.50
9.00	9023E- 9.00	20.80	9023E- 20.80
9.20	9023E- 9.20	21.00	9023E- 21.00
9.50	9023E- 9.50	21.50	9023E- 21.50
9.60	9023E- 9.60	21.80	9023E- 21.80
9.80	9023E- 9.80	22.00	9023E- 22.00
10.00	9023E- 10.00	22.50	9023E- 22.50
10.20	9023E- 10.20	22.80	9023E- 22.80
10.40	9023E- 10.40	23.00	9023E- 23.00
10.60	9023E- 10.60	23.50	9023E- 23.50
10.80	9023E- 10.80	23.80	9023E- 23.80
11.00	9023E- 11.00	24.00	9023E- 24.00
11.20	9023E- 11.20	24.50	9023E- 24.50
11.40	9023E- 11.40	25.00	9023E- 25.00
11.50	9023E- 11.50	25.50	9023E- 25.50
11.80	9023E- 11.80	25.80	9023E- 25.80
12.00	9023E- 12.00	26.00	9023E- 26.00
12.20	9023E- 12.20	26.50	9023E- 26.50
12.40	9023E- 12.40	26.80	9023E- 26.80
12.50	9023E- 12.50	27.00	9023E- 27.00
12.60	9023E- 12.60	27.50	9023E- 27.50
12.80	9023E- 12.80	28.00	9023E- 28.00
13.00	9023E- 13.00	28.50	9023E- 28.50
13.20	9023E- 13.20	29.00	9023E- 29.00
13.50	9023E- 13.50	30.00	9023E- 30.00
13.80	9023E- 13.80	30.50	9023E- 30.50
14.00	9023E- 14.00	31.00	9023E- 31.00
14.40	9023E- 14.40	31.50	9023E- 31.50
14.50	9023E- 14.50	32.00	9023E- 32.00
14.60	9023E- 14.60	32.50	9023E- 32.50
14.80	9023E- 14.80	33.00	9023E- 33.00
		36.80	9023E- 36.80

**Dies 9221EA SERIES**



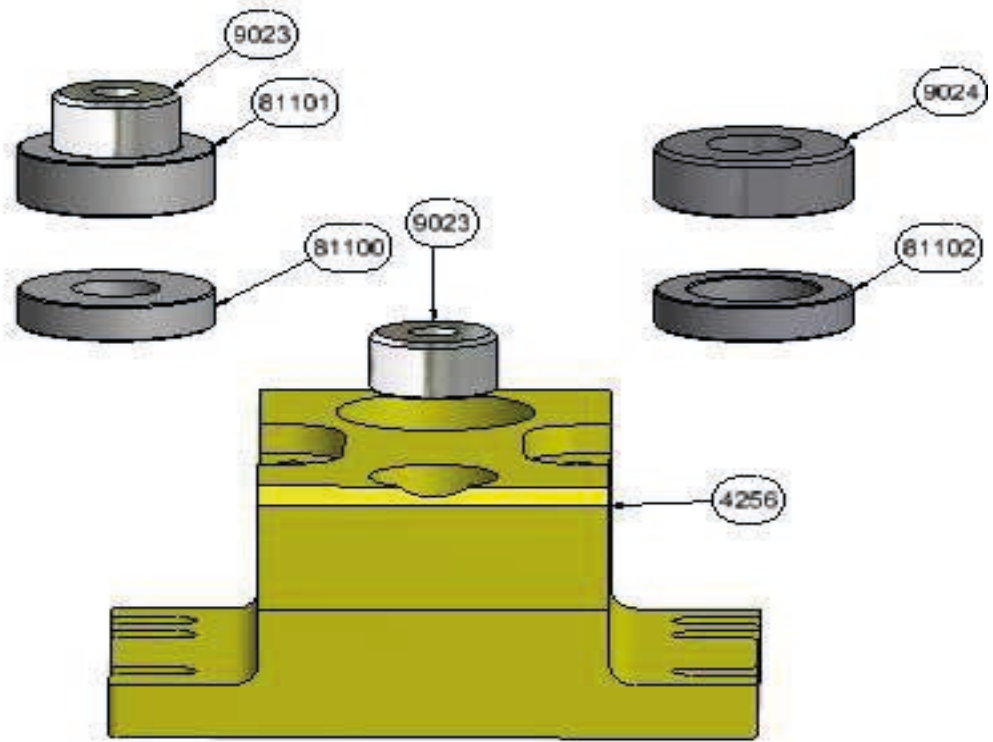
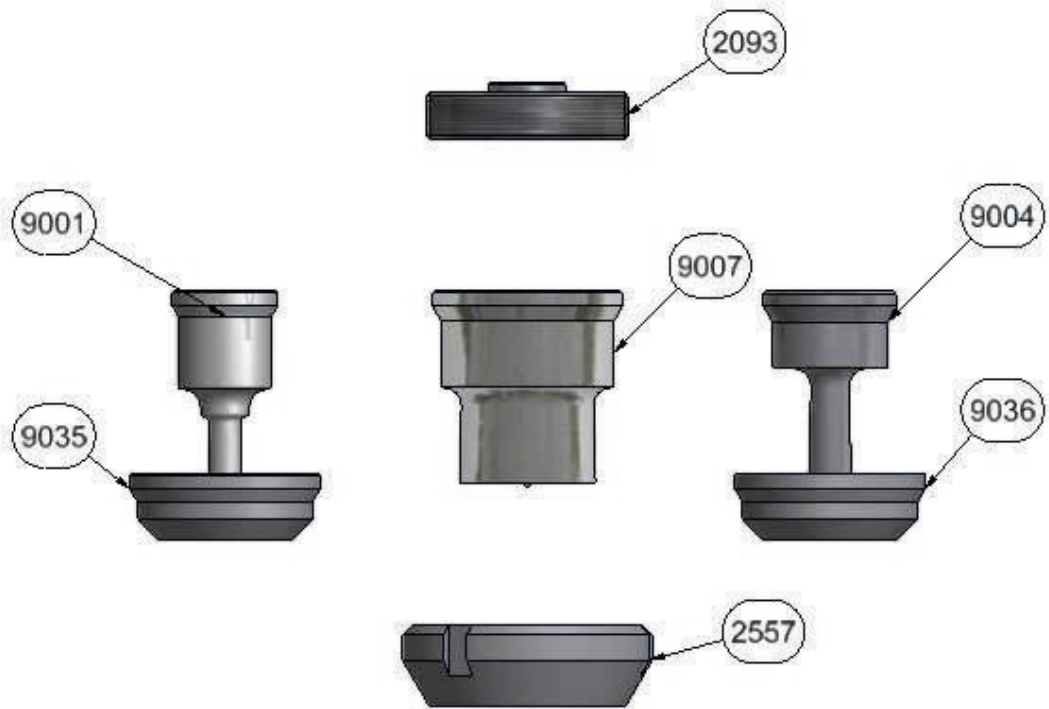
DIE SIZE	PART No
10.8*20.8	9221EA- 10.8*20.8
10.8*25.8	9221EA- 10.8*25.8
10.8*30.8	9221EA- 10.8*30.8
12*21	9221EA- 12*21
12*25	9221EA- 12*25
12*26	9221EA- 12*26
13*21	9221EA- 13*21
13*26	9221EA- 13*26
13*31	9221EA- 13*31
15*26	9221EA- 15*26
15*31	9221EA- 15*31
19*26	9221EA- 19*26
19*31	9221EA- 19*31
19*35	9221EA- 19*35
19*37	9221EA- 19*37

**Dies 9221EB SERIES**

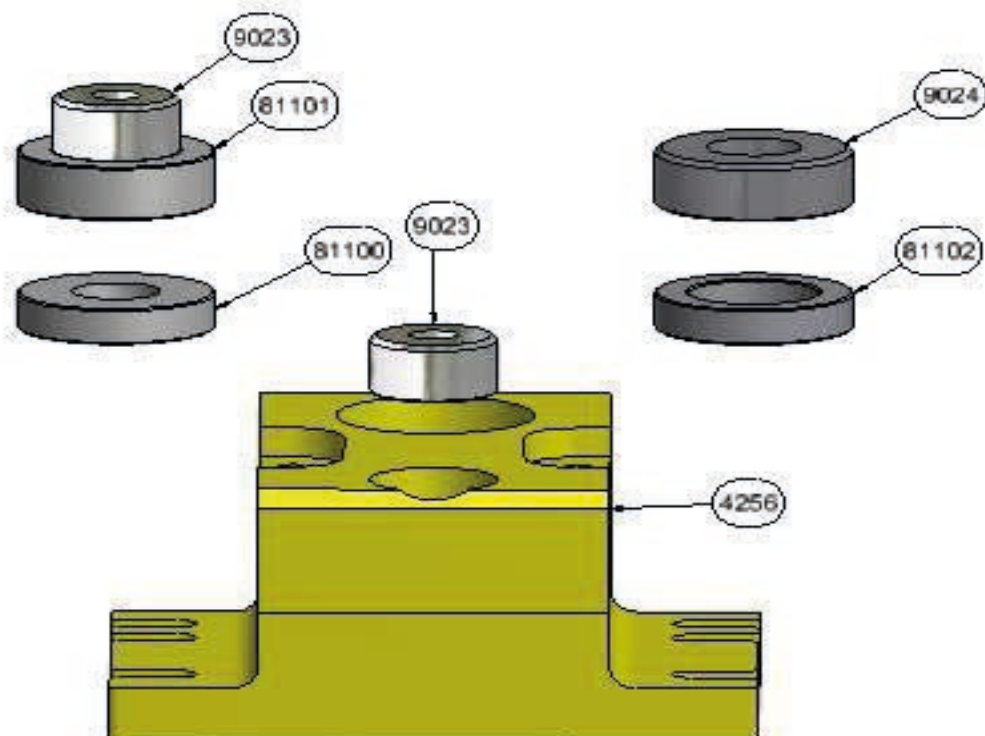
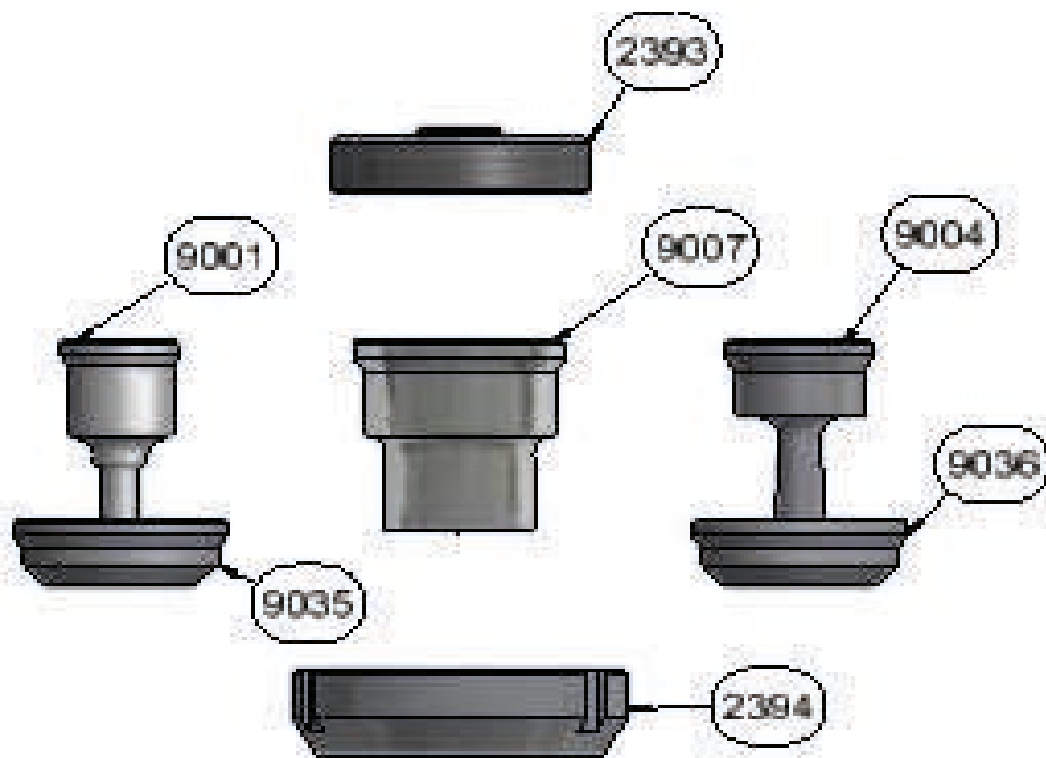


DIE SIZE	PART No
10.8*20.8	9221EB- 10.8*20.8
10.8*25.8	9221EB- 10.8*25.8
10.8*30.8	9221EB- 10.8*30.8
12*21	9221EB- 12*21
12*26	9221EB- 12*26
13*21	9221EB- 13*21
13*25	9221EB- 13*25
13*26	9221EB- 13*26
14*21	9221EB- 14*21
14*26	9221EB- 14*26
14*31	9221EB- 14*31
15*26	9221EB- 15*26
15*29	9221EB- 15*29
15*31	9221EB- 15*31
15*39	9221EB- 15*39
19*26	9221EB- 19*26
19*31	9221EB- 19*31
19*35	9221EB- 19*35
21*32	9221EB- 21*32

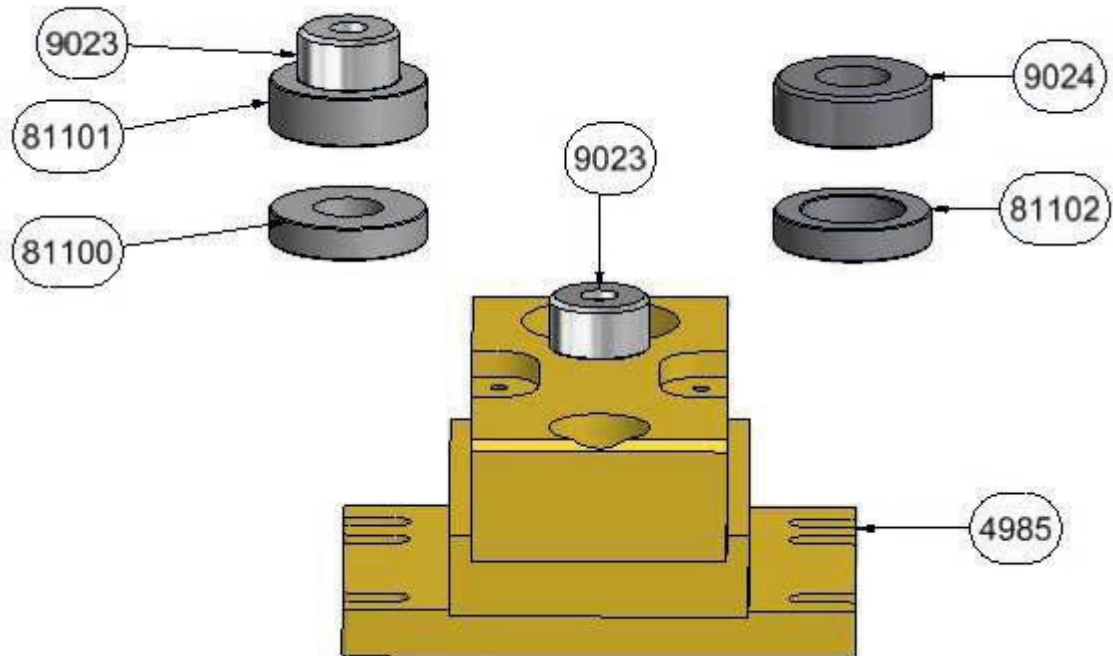
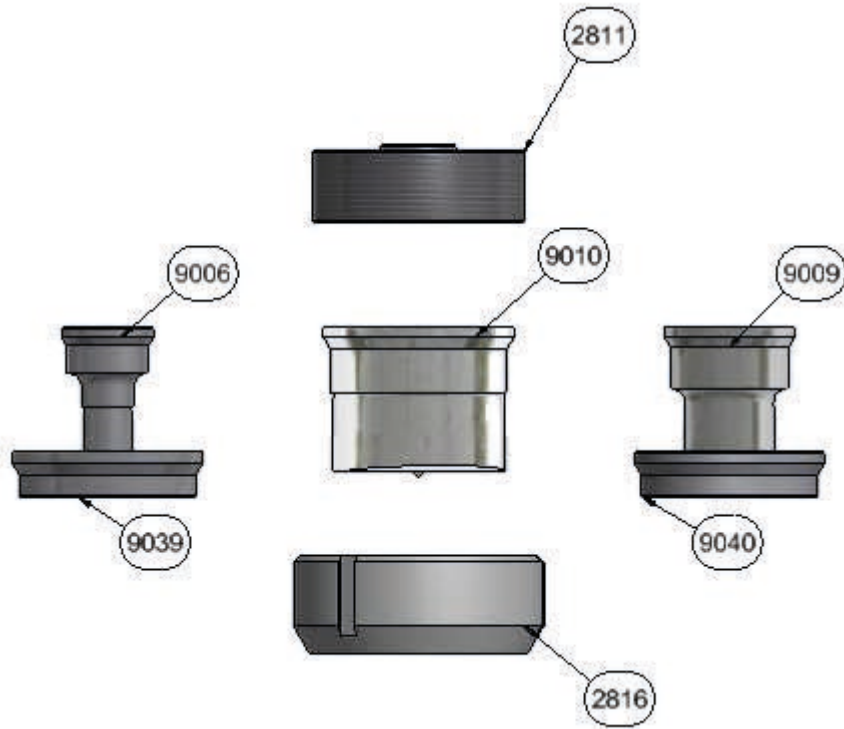
# Tooling for Multi 60, 70, 80



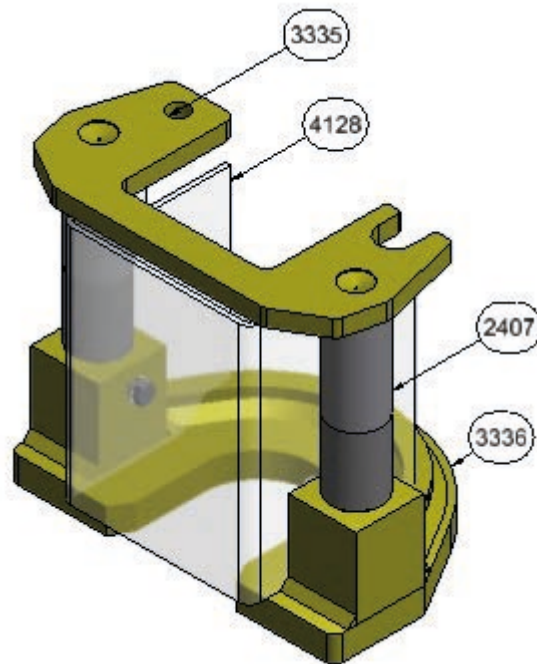
# Tooling for Multi 95



# Tooling For Multi 125,140

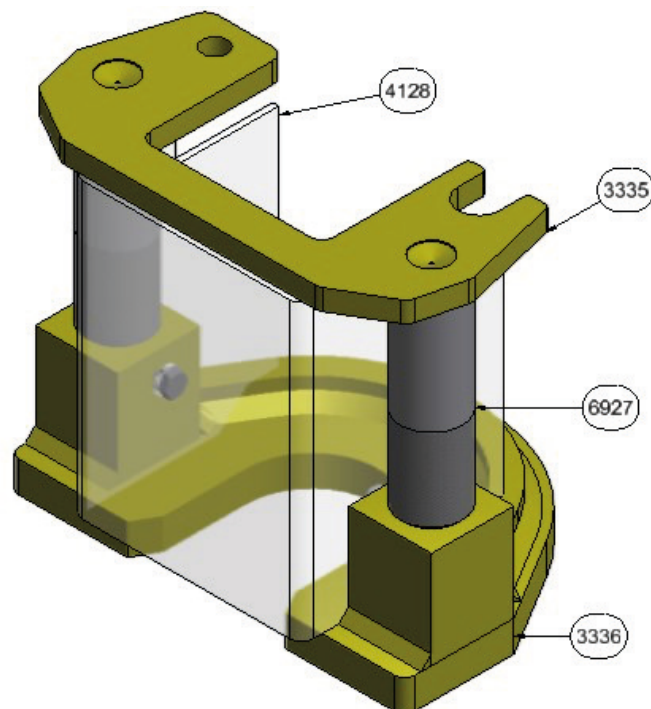


## Compact 50,65 Swing Away Stripper Assembly



### Assembly Part No 1090

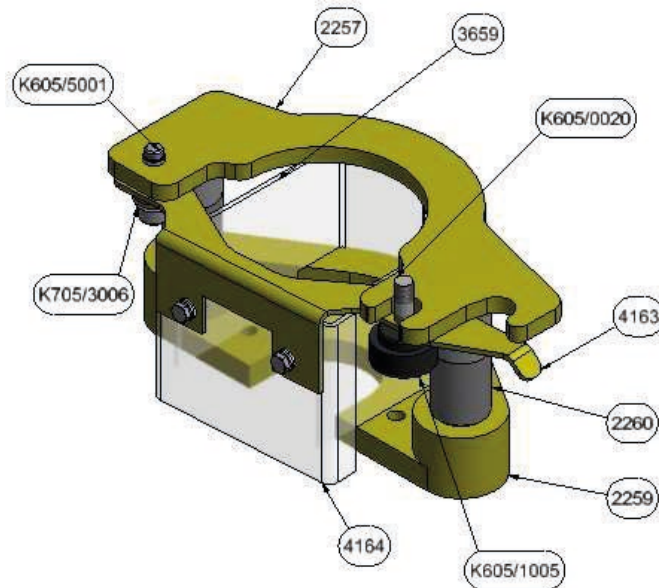
## Compact 80 Swing Away Stripper Assembly



### Assembly Part no 6926

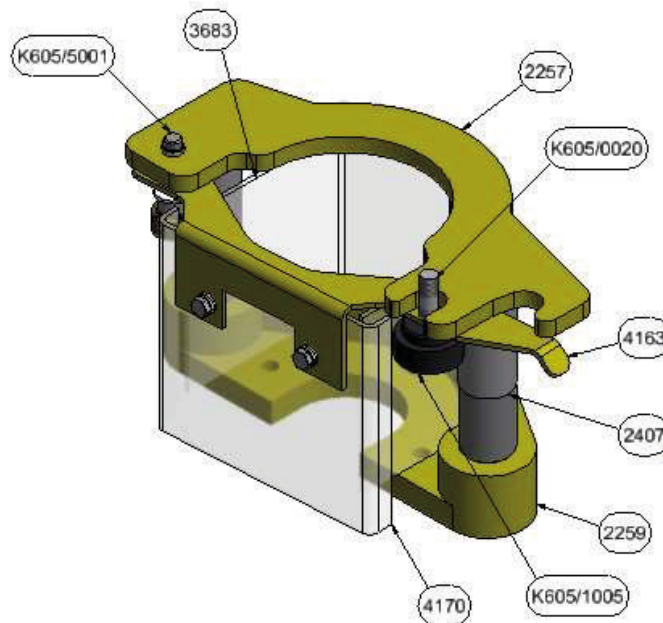


## Multi 60, 70, 80 50P Swing Away Stripper Assembly



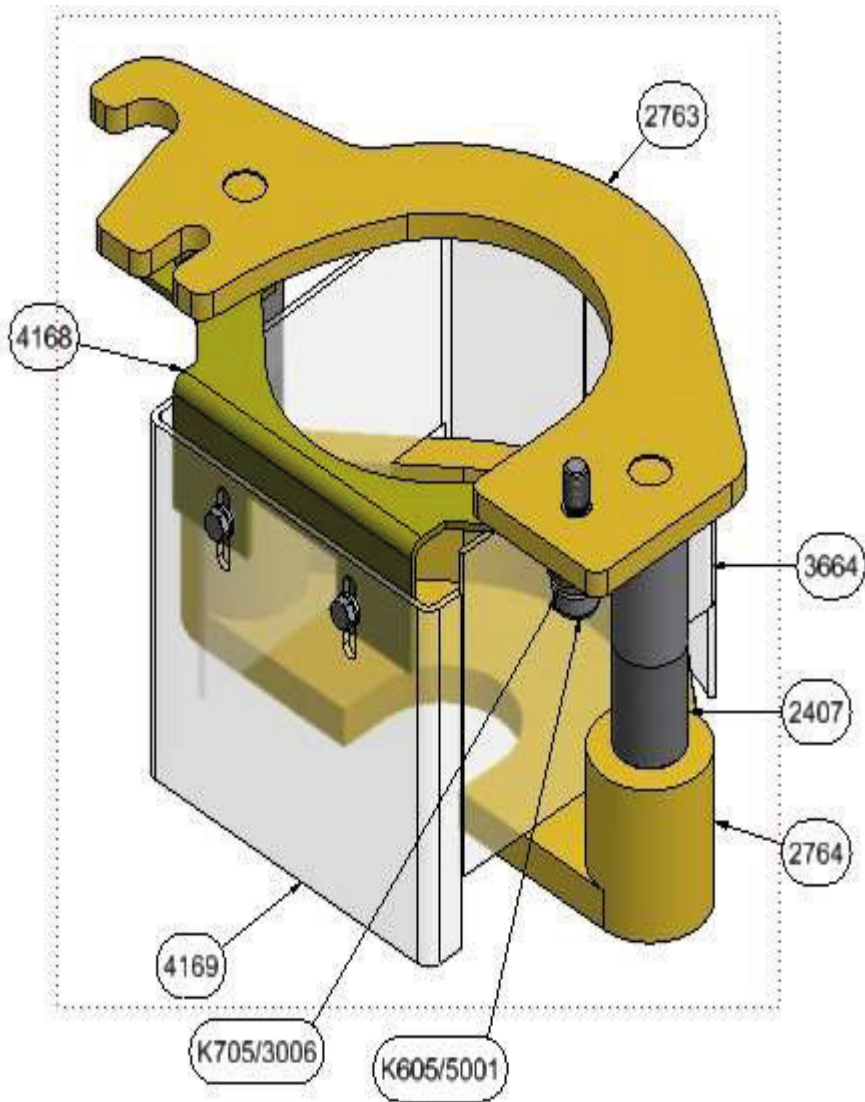
### Assembly Part No 1092

## Multi 95 Swing Away Stripper Assembly



### Assembly Part no 1093

## Multi 125, 140 Swing Away Stripper Assembly

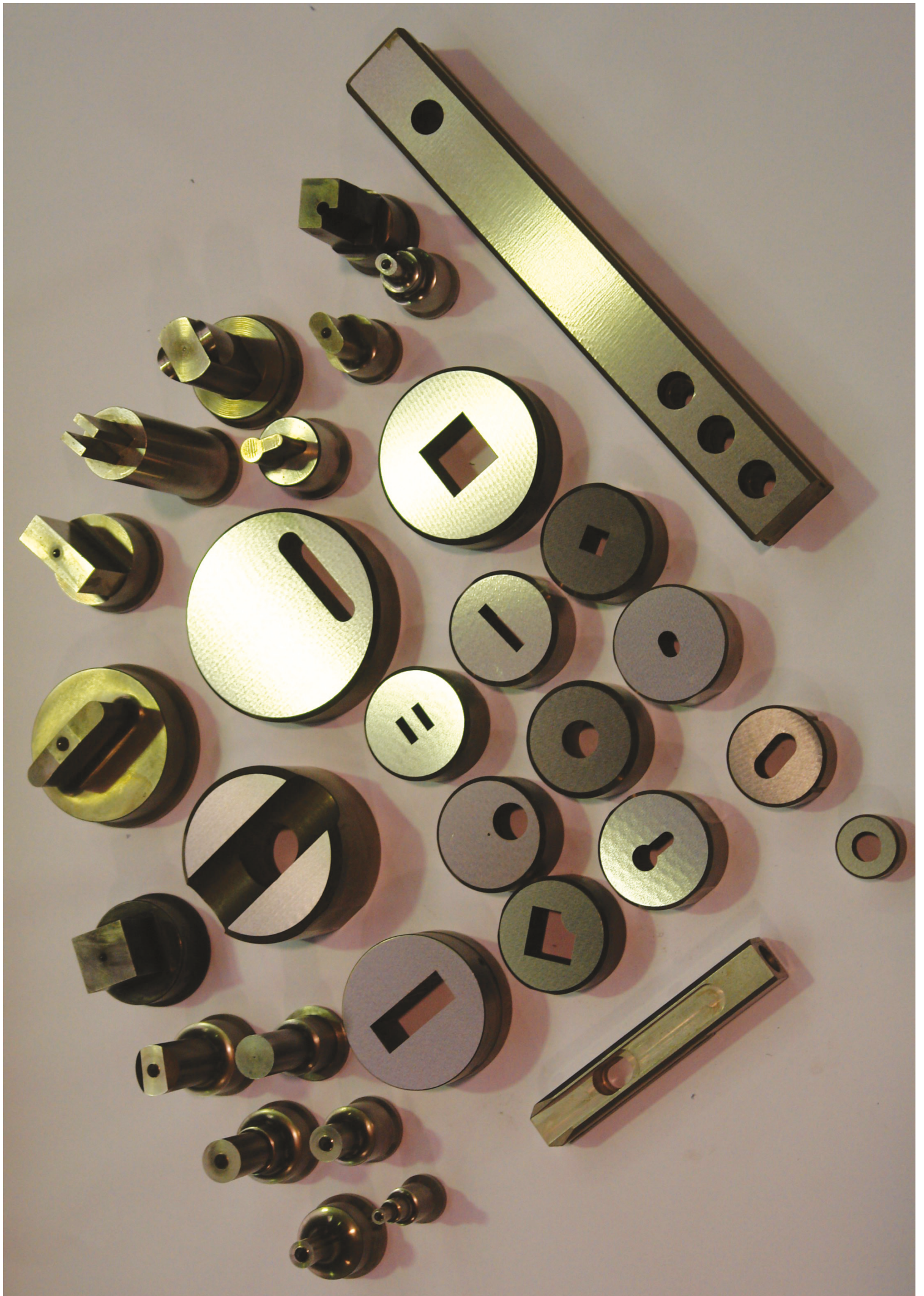


### Assembly Part No 1094

## STANDARD BLADES FITTED IN MACHINES

MODEL	SECTION BODY	SECTION ARM	ANGLE BODY	ANGLE BODY	ANGLE ARM	ANGLE ARM	SHEAR BODY	SHEAR ARM	NOTCH PUNCH	NOTCH FRONT DIE	NOTCH SIDE DIE	NOTCH SIDE DIE
COMPACT 40/40XM	84190	84191	3904	3904	3903		3902	3902				
COMPACT 45/45XA	3442	3443	3543	3544	3545	3546	3309	3409	3452	3536	3535	3535
COMPACT 50			3547	3548	3549	3550	3309	3409	3310	3536	3537	3537
COMPACT 60/60XA	3427	3428	3547	3548	3549	3550	3309	3409	3310	3536	3537	3537
COMPACT 65	3427	3428	3547	3548	3549	3550	3309	3409	3310	3536	3537	3537
COMPACT 80	3427	3428	3547	3548	3549	3550	3309	3409	3310	3536	3537	3537
55XS	3196	3197	3548	3548	3549		2104	2125	2255	3536	3537	3537
65XS	3196	3197	3548	3548	3549		2104	2125	2255	3536	3537	3537
70XS	3196	3197	3931	3931	2401		2389	2914	3408	3536	3429	3429
85XS	3201	3202	3931	3931	2401		2389	2914	2386	3930	3537	3537
115XS	3206	3207	3931	3931	2401		2743	2900	2745	3930	3537	3537
160XS	3209	3210	3017	3017	3018		2743	2900	2745	3105	3939	3939
MULTI 60/60D	3196	3197	3548	3548	3549		2104	2125	2255	3536	3537	3537
MULTI 70/70D	3196	3197	3548	3548	3549		2104	2125	2255	3536	3537	3537
MULTI 80/80D	3196	3197	3931	3931	2401		2389	2914	3408	3536	3429	3429
MULTI 95/95D	3201	3202	3931	3931	2401		2389	2914	2386	3930	3537	3537
MULTI 125/125D	3206	3207	3931	3931	2401		2743	2900	2745	3930	3537	3537
MULTI 140/140D	3206	3207	3931	3931	2401		2743	2900	2745	3930	3537	3537
MULTI 175	3209	3210	3017	3017	3018		2743	2900	2745	3105	3939	3939
ULTIMA 60/60XL	3196	3197	3548	3548	2401	85003	85006	85005	80447	3536	3537	3537
ULTIMA 75/75XL	3196	3197	85002	85002	2401	85003	85001	85004	80447	3536	3537	3537
ULTIMA 100/100XL	3201	3202	85002	85002	2401	85003	85001	85004	80403	3930	3537	3537
ULTIMA 125/140XL	3206	3207	85002	85002	2401	85003	85007	85008	80403	3930	3537	3537

ARM BLADES ARE THE MOVING BLADES IN THE MACHINE



# NOTES



# NOTES



### Contact Details

The Kingsland Engineering Co. Ltd  
Weybourne Road  
Sheringham  
Norfolk  
NR26 8HE

Tel: +44 1263 822 153  
Email: [Sales@kingsland.com](mailto:Sales@kingsland.com)  
[Service@kingsland.com](mailto:Service@kingsland.com)  
[Accountancy@kingsland.com](mailto:Accountancy@kingsland.com)  
WWW: [kingsland.com](http://kingsland.com)  
Webshop: [webshop.haco.com/kingsland/](http://webshop.haco.com/kingsland/)



Robot Plasma Cutting System



Punching machines



Tools & accessories