



# Handling system T

Highly flexible handling solution for feeding medium weight materials. Thanks to a unique profile system, "T" System roller tracks may be easily adjusted to customer's requirements.

Their bearing capacity may be increased by changing their spacing.

A wide range of connection pieces and accessories completes the "T" System spectrum.



With the bearing capacity up to 600 kg and a wide range of accessories and connection pieces of BOMAR bandsaws, the "T" system is an ideal partner for handling material in your workshop.

Thanks to the default length of 2 and 3 m, the roller tracks are flexible and may be adjusted to any environment. By adding the "T" System inlet and outlet tracks to the machine the performance of the whole production process may be simply and efficiently enhanced.



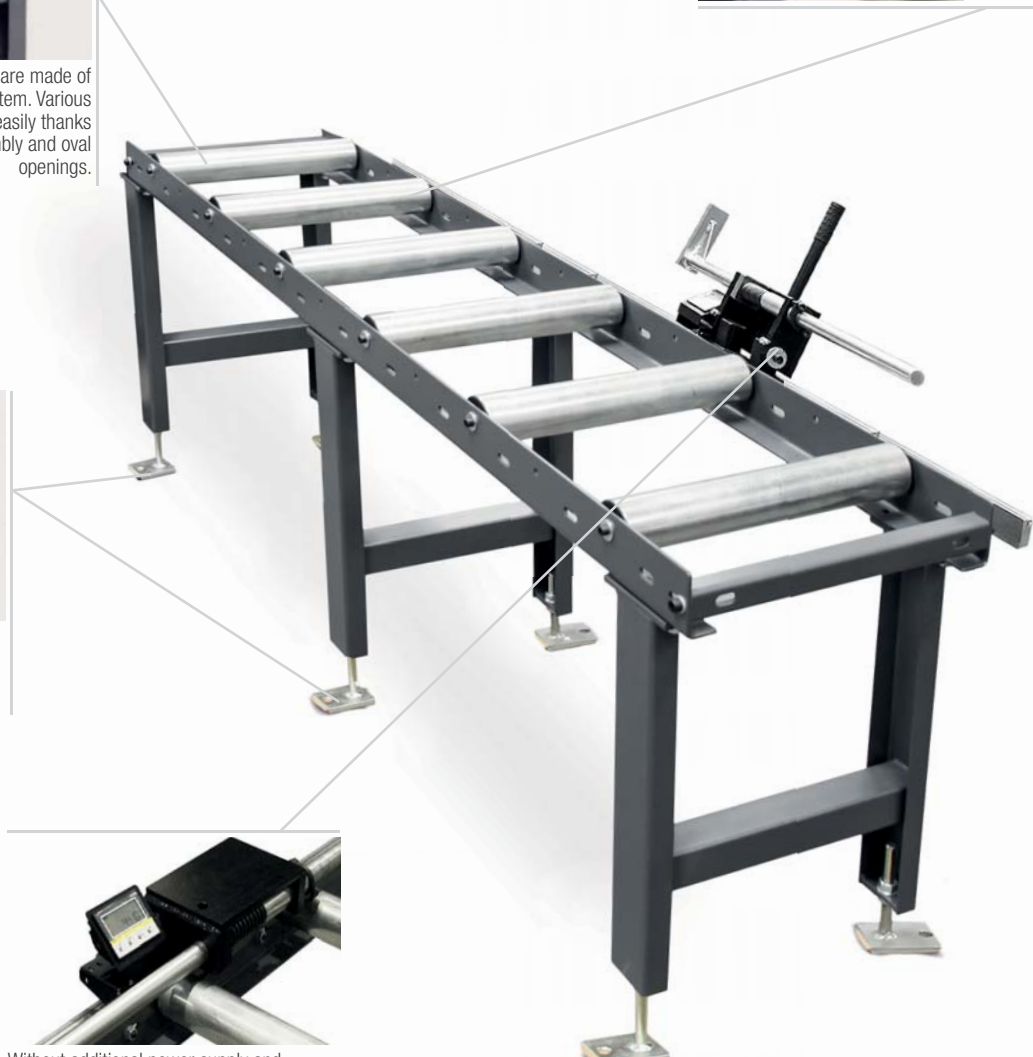
"T" System roller tracks are made of strong profiles with a bolt system. Various accessories may be added easily thanks to production-made assembly and oval openings.



"T" System is equipped with rollers with  $\varnothing$  70 mm for the biggest loads. 2m modules of the roller track are fitted with 6 rollers, 3m modules are fitted with 10 rollers.



Each supporting foot is fitted with two adjusting parts, thus the roller track may be placed on an uneven surface.



Without additional power supply and with a long-life battery, the TBA digital measuring stop provides precise measuring along the whole length.



### Efficient performance

By adding „T“ System inlet and outlet tracks to the machine the performance of the whole production process may be simply and efficiently enhanced.



### Length measuring - precise cuts

The length measuring system for the „T“ System includes both manual stops with visual reading of the values measured and mechanically driven stops with digital reading of the values.



An adjusted connection piece, including connecting elements, is available for every bandsaw. The „T“ System roller track is dimensioned primarily for saws of the Workline, Proline, and Transverse models.



**Workline series – ideal machine for “T” System conveyors**

Workline series bandsaws covers the whole spectrum of models – from small manual saws for diameters to 280 mm, to semiautomatic saws for diameters to 450 mm, to automatic saws for diameters up to 350 mm.



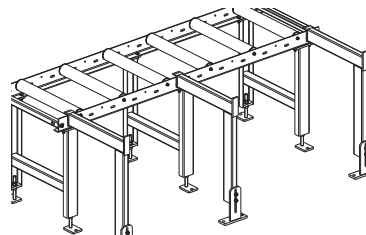
**Individual solution - extension and accessories**

Every roller track may be ideally adjusted to its task. This is easy to do at any time thanks to “T” System accessories and connection pieces; using assembly openings without any big effort.



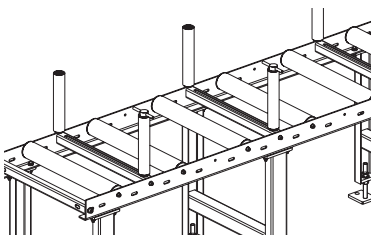
**Vertical rollers**

In an ideal position, aligned with the axis of the saw rear jaws, vertical rollers ensure angle precision, simpler working operations, and safety of the operator and other persons in the vicinity of the machine.



**Feet for material preparation**

The „T” System preparatory feet help optimise time through simple means. Thanks to the 750 mm laying width, a sufficient amount of the material for the cutting process may be prepared and machining times reduced.



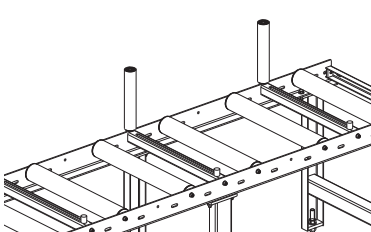
**Adjustable vertical rollers**

Adjustable vertical rollers are irreplaceable for cutting several layers or bundles of the material. The layer or bundle position is secured by moving adjustable rollers up, in combination with fixed vertical rollers.



**Additional supporting foot**

A supporting foot may be mounted at any time as additional strengthening or modification of the basic version of connection with the full number of feet .



**Roll-away safeguard**

The roll-away safeguard serves as prevention against uncontrolled rolling away of tubes, protecting the personnel and other persons in the vicinity of the machine.



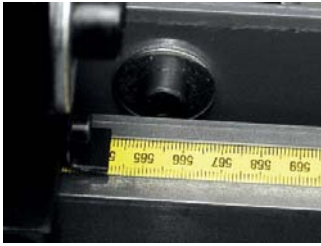
**Connection pieces**

An adjusted connection piece, including connecting elements, is available for every bandsaw. The „T” System roller track is dimensioned primarily for saws of the Workline, Proline, and Transverse models.

## TA material length-stop

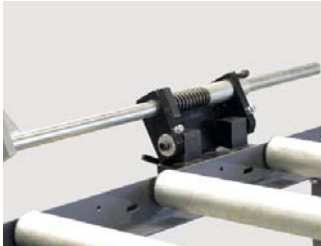
## Material length-stops

TA measuring stop with easy adjustment and simple operation. With standard lengths of 2,000 to 6,000 mm (by 1,000 mm), the TA measuring stop is suitable for any saw. The guiding bar is fitted with a tape measure along its whole length. The stop arm may be tilted when the material passes through the machine.



### Measuring scale

The scale is located on a solid bar with a milled groove. The stop support is fitted with a pointer located directly above the tape measure.



### Dampening and tilting

The stop is fitted with an integrated arm damper and may be tilted to ensure smooth passage of the material.

### Material fitting

The bearing surface of the stop end allows the material to be fitted steadily before it is cut to a required length.



Ord.num.	Description	Measured length	Marking	Eur/pcs
254.751	Manual material length-stop with band scale	2000mm	TA-2	
254.752	Manual material length-stop with band scale	3000mm	TA-3	
254.753	Manual material length-stop with band scale	4000mm	TA-4	
254.754	Manual material length-stop with band scale	5000mm	TA-5	
	Manual material length-stop with band scale	6000mm	TA-6	

## TRA material length-stop

Without additional power supply and with a long-life battery, the TRA digital measuring stop provides precise measuring along the whole length. The stop support is adjusted manually, its position is shown on the display with 0.1 mm precision. The display allows the absolute dimensions and dimension chains to be shown. To ensure smooth passage of the material, the stop arm may be tilted.

### Digital display

The display showing lengths is located directly on the stop support, showing a precise position in real time. The displaying system offers various options of process setting and optimization.



### Material fitting

The bearing surface of the stop end allows the material to be fitted steadily before it is cut to a required length.



### System TRA

Ord.num.	Description	Measured length	Marking	Eur/pcs
254.780	Manual material length-stop with digital scale	2000mm	TRA-2	
254.785	Manual material length-stop with digital scale	3000mm	TRA-3	
254.786	Manual material length-stop with digital scale	4000mm	TRA-4	
254.787	Manual material length-stop with digital scale	5000mm	TRA-5	
254.788	Manual material length-stop with digital scale	6000mm	TRA-6	
	Manual material length-stop with digital scale	10000mm	TRA-10	

The CNC-controlled TNCA measuring stop provides an additional measuring axis of the machine. It enables both absolute dimensions and dimension chains to be programmed and has a memory for 99 programs. The length is measured with a magnetic measuring system along the whole stop length with 0.1 mm precision.



Free lift and possible tilting

The stop is fitted with a free lift electronic device with the lifting range of 20 mm. The stop arm tilts pneumatically to ensure free passage of the material.



Adjustable stop arm

The distance of the stop arm from the saw band may be set individually. Double guiding guarantees angle precision after the setting.

Conveyor drive

Material fitting

Opěrná plocha zakončení dorazu umožňuje stabilní zapříčení materiálu před řezem požadované délky.



#### System TNCA

Ord.num.	Description	Measured length	Marking	Eur/pcs
254.780	NC - length stop with "jump back" from material	3000mm	TNCA-3	
254.785	NC - length stop with "jump back" from material	4000mm	TNCA-4	
254.786	NC - length stop with "jump back" from material	5000mm	TNCA-5	
254.787	NC - length stop with "jump back" from material	6000mm	TNCA-6	

For further information on the machine and its possible extension, please contact our sales department.